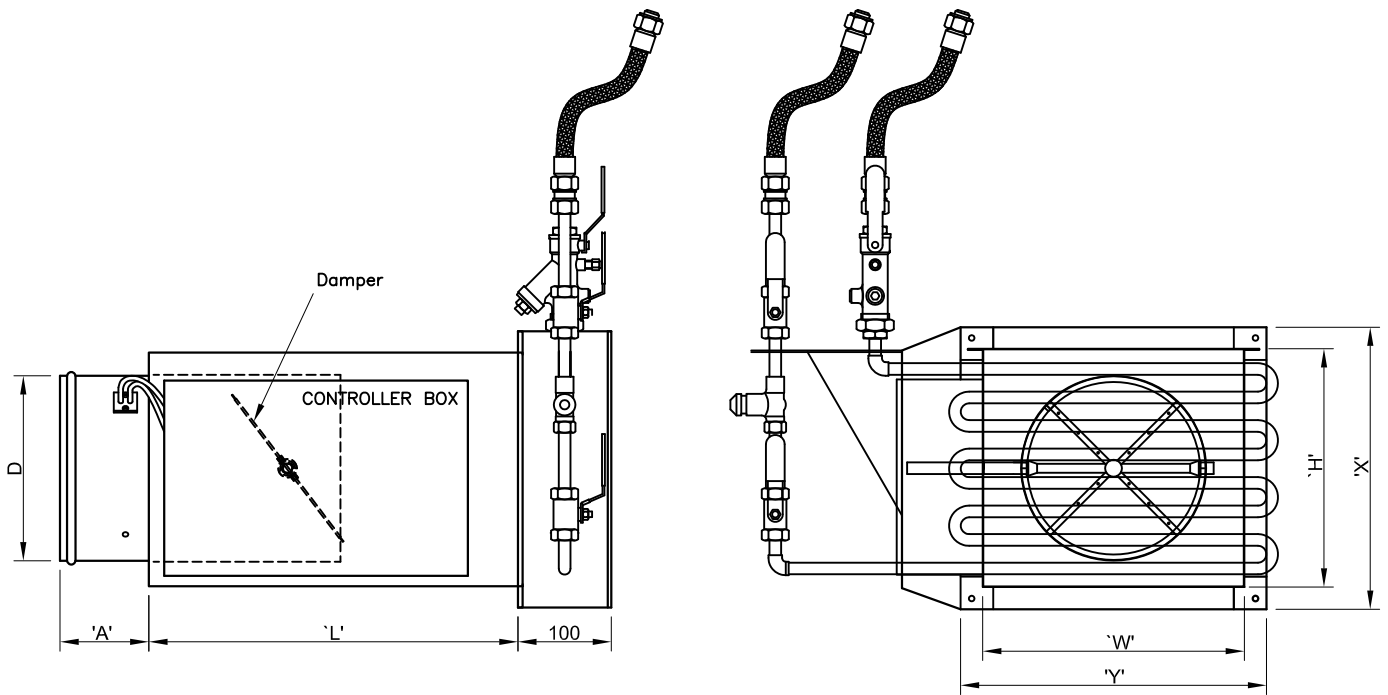


Dimensional data

SINGLE TERMINAL VARIABLE AIR VOLUME BOX WITH HOT WATER REHEAT COIL



All dimensions are in mm

MODEL	CAPACITY (CFM)	'L'	'H'	'W'	'X'	'Y'	'A'	INLET 'D'
VAV-PID-EH-100	45 - 230	400	250	250	300	300	95	100
VAV-PID-EH-125	70 - 360	400	250	250	300	300	95	125
VAV-PID-EH-150	100 - 520	400	250	250	300	300	95	150
VAV-PID-EH-175	140 - 710	400	250	300	300	350	95	175
VAV-PID-EH-200	185 - 925	400	250	300	300	350	95	200
VAV-PID-EH-250	290 - 1450	400	318	400	368	450	95	250
VAV-PID-EH-300	420 - 2100	500	380	450	430	500	95	300
VAV-PID-EH-350	580 - 2900	500	445	500	495	550	95	350
VAV-PID-EH-400	740 - 3700	500	445	570	495	620	95	400
VAV-PID-EH-450	1000 - 5000	700	445	500	495	550	200	450 X 400
VAV-PID-EH-600	1420 - 7100	700	450	900	500	950	200	600 X 400