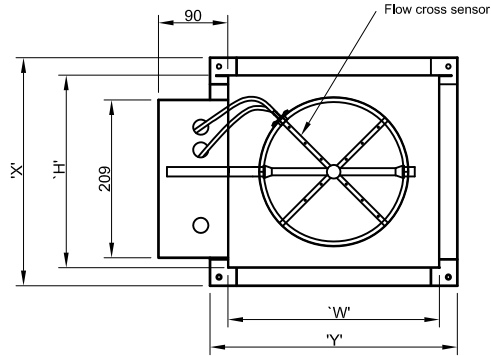
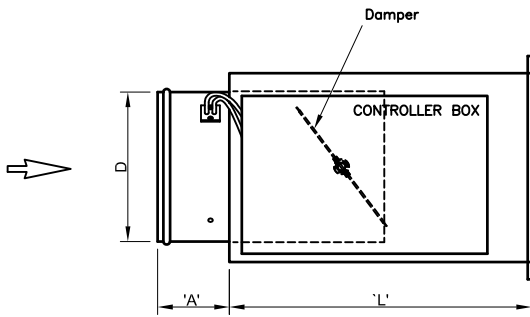


Type

PID Pressure independent VAV box

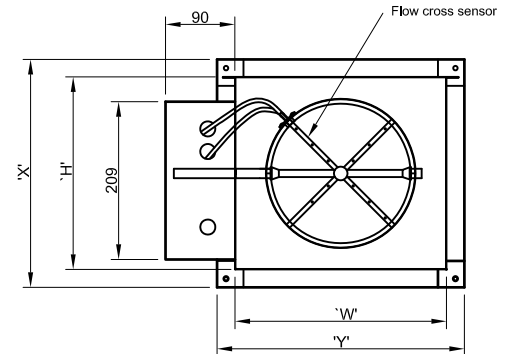
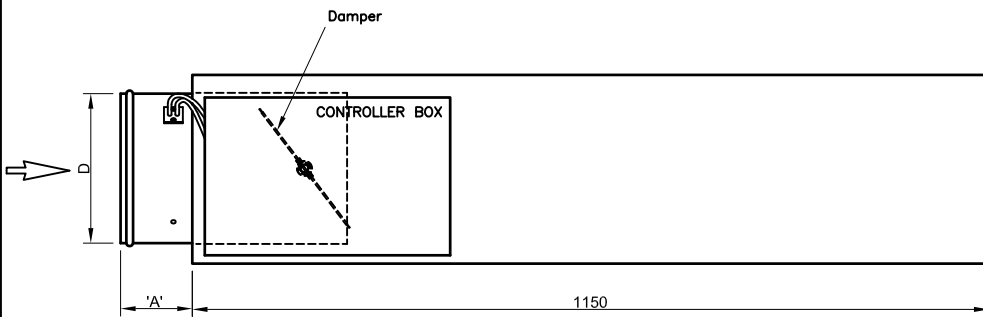


MODEL	CAPACITY (CFM)	'L'	'H'	'W'	'X'	'Y'	'A'	INLET 'D'
VAV-PID-100	45 - 230	400	250	250	300	300	95	100
VAV-PID-125	70 - 360	400	250	250	300	300	95	125
VAV-PID-150	100 - 520	400	250	250	300	300	95	150
VAV-PID-175	140 - 710	400	250	300	300	350	95	175
VAV-PID-200	185 - 925	400	250	300	300	350	95	200
VAV-PID-250	290 - 1450	400	318	400	368	450	95	250
VAV-PID-300	420 - 2100	500	380	450	430	500	95	300
VAV-PID-350	580 - 2900	500	445	500	495	550	95	350
VAV-PID-400	740 - 3700	500	445	570	495	620	95	400
VAV-PID-450	1000 - 5000	700	445	500	495	550	200	450 X 400
VAV-PID-600	1420 - 7100	700	450	900	500	950	200	600 X 400

Description.

- Casing 22 G. galvanized steel with round or rectangular inlet.
- Precisely design flow cross sensor.
- Round damper blade constructed of elastomeric gasket sandwiched between two heavy duty galvanized sheet, result in low air leakage
- Precisely design flow cross sensor grid.
- Wide variety of sizes result in a total flow range of 45 to 7100 CFM.
- Supply with BMS compatible actuator controller & thermostat.
- Internally line casing utilizing opencell elastomeric nitrile foam rubber, fiber free, super silent & microban resistant.

PID-SL Single terminal unit with integral sound attenuator



MODEL	CAPACITY (CFM)	'L'	'H'	'W'	'X'	'Y'	'A'	INLET 'D'
VAV-PID-SL-100	45 - 230	1150	250	250	300	300	95	100
VAV-PID-SL-125	70 - 360	1150	250	250	300	300	95	125
VAV-PID-SL-150	100 - 520	1150	250	250	300	300	95	150
VAV-PID-SL-175	140 - 710	1150	250	300	300	350	95	175
VAV-PID-SL-200	185 - 925	1150	250	300	300	350	95	200
VAV-PID-SL-250	290 - 1450	1150	318	400	368	450	95	250
VAV-PID-SL-300	420 - 2100	1150	380	450	430	500	95	300
VAV-PID-SL-350	580 - 2900	1150	445	500	495	550	95	350
VAV-PID-SL-400	740 - 3700	1150	445	570	495	620	95	400
VAV-PID-SL-450	1000 - 5000	1150	445	500	495	550	200	450 X 400
VAV-PID-SL-600	1420 - 7100	1150	450	900	500	950	200	600 X 400

Description.

- Casing 22 G. galvanized steel with round or rectangular inlet.
- Precisely design flow cross sensor.
- Round damper blade constructed of elastomeric gasket sandwiched between two heavy duty galvanized sheet, result in low air leakage
- Precisely design flow cross sensor grid.
- Wide variety of sizes result in a total flow range of 45 to 7100 CFM.
- Supply with BMS compatible actuator controller & thermostat.
- Internally line casing utilizing opencell elastomeric nitrile foam rubber, fiber free, super silent & microban resistant.

Model : VAV-PID

Note:

- This submittal is mean to demonstrate general dimension of the product. The drawing on submittal are not mean to detail every aspect of product with exactness. Drawing are not to scale. COSMOS reserve to the right to make changes without written notice.
- All Dimensions are in mm.
- Dimensions are ± 1.5mm