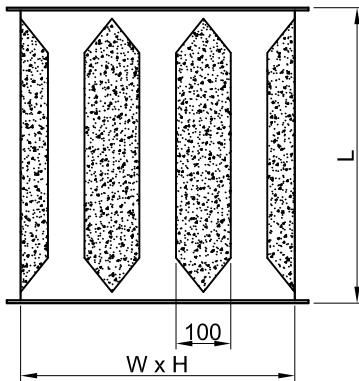


Description.

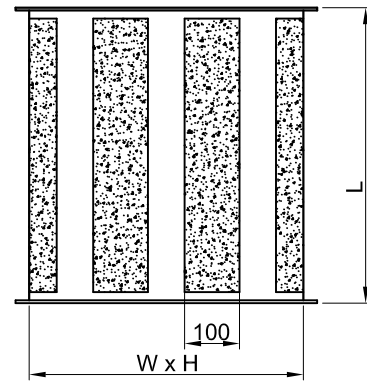
- 20 G. GI Construction.
- Glass wool as acoustic media.
- Acoustic media covered with tissue.
- Perforated sheet sheet is added as a protection.
- Aerodynamicly design acoustic and pressure drop characteristics.

1. Options

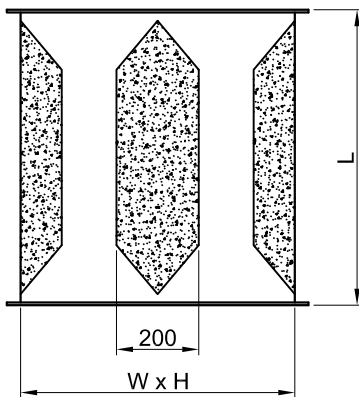
101 100mm Wide conical baffle.



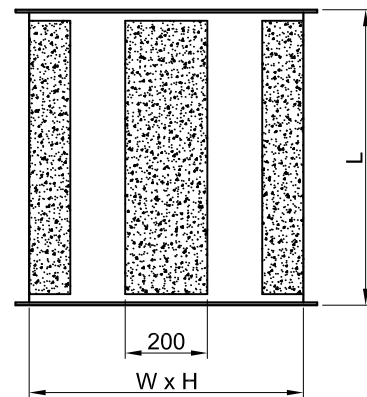
102 100mm Wide flat baffle.



201 200mm Wide conical baffle.



202 200mm Wide flat baffle.



Model : RSA-

Note:

- This submittal is mean to demonstrate general dimension of the product. The drawing on submittal are not mean to detail every aspect of product with exactness. Drawing are not to scale. COSMOS reserve to the right to make changes without written notice.
- All Dimensions are in mm.
- Dimensions are ± 1.5 mm