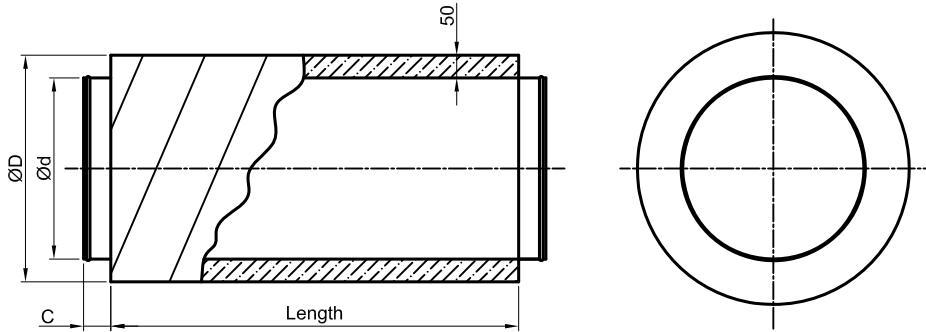


1. Options

50 50mm acoustic media covered with glass tissue.



Description

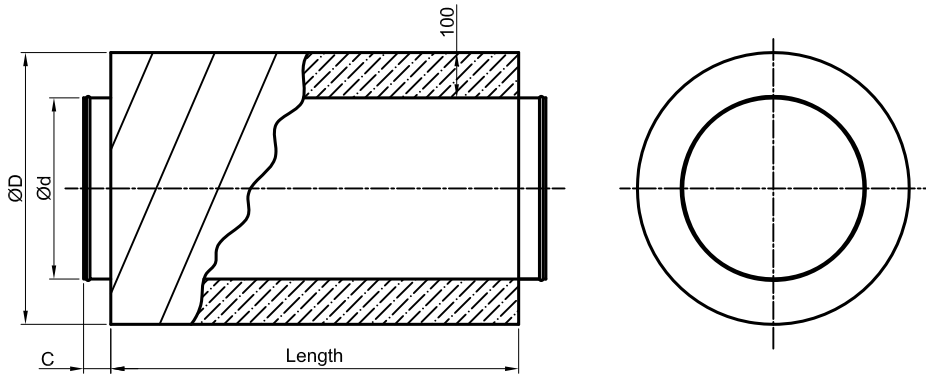
- 20 Gauge GI construction.
- Glass wool as acoustic media.
- Acoustic media covered with tissue.
- Perforated sheet is added as protection.
- Acoustic and pressure drop characteristics.

2. Dimension details:

All dimensions are in mm

Size	Ød	ØD	C	Length		
100	99	205	45	500	800	1100
125	124	226	45	500	800	1100
160	159	255	45	500	800	1100
200	199	288	45	500	800	1100
250	249	345	45	500	800	1100
315	314	403	45	500	800	1100
400	399	479	60	500	800	1100

100 100mm acoustic media covered with glass tissue.



Description

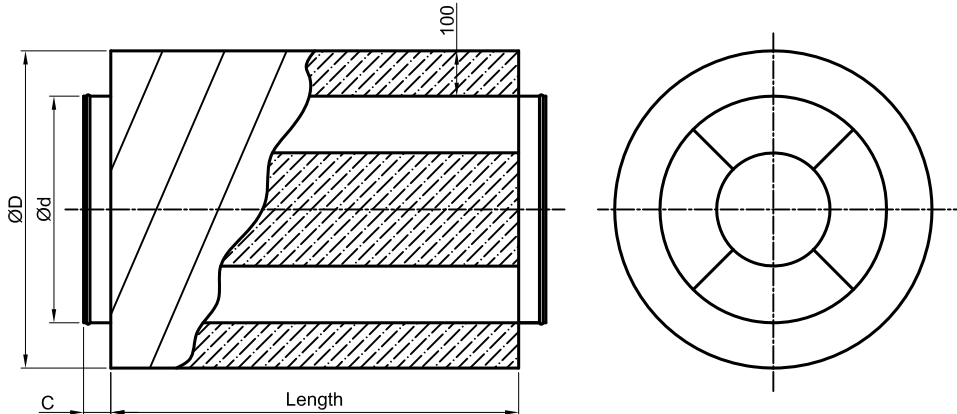
- 20 Gauge GI construction.
- Glass wool as acoustic media.
- Acoustic media covered with tissue.
- Perforated sheet is added as protection.
- Acoustic and pressure drop characteristics.

2. Dimension details:

All dimensions are in mm

Size	Ød	ØD	C	Length		
100	99	284	45	500	800	1100
125	124	305	45	500	800	1100
160	159	334	45	500	800	1100
200	199	367	45	500	800	1100
250	249	424	45	500	800	1100
315	314	482	45	500	800	1100
400	399	558	60	500	800	1100

P 100mm acoustic media covered with glass tissue, center pod body.



Description

- 20 Gauge GI construction.
- Glass wool as acoustic media.
- Acoustic media covered with tissue.
- Perforated sheet is added as protection.
- Acoustic and pressure drop characteristics.

2. Dimension details:

All dimensions are in mm

Size	Ød	ØD	C	Length	
500	499	700	60	900	1200
630	629	830	60	900	1200
800	799	1000	60	900	1600
1000	999	1200	60	1000	2000
1250	1249	1450	60	1200	2400
1600	1599	1800	60	1600	3200
2000	1999	2200	60	2000	4000

Model : CSA- -

Note:

- This submittal is mean to demonstrate general dimension of the product. The drawing on submittal are not mean to detail every aspect of product with exactness. Drawing are not to scale. COSMOS reserve to the right to make changes without written notice.
- All Dimensions are in mm.
- Dimensions are ± 1.5mm