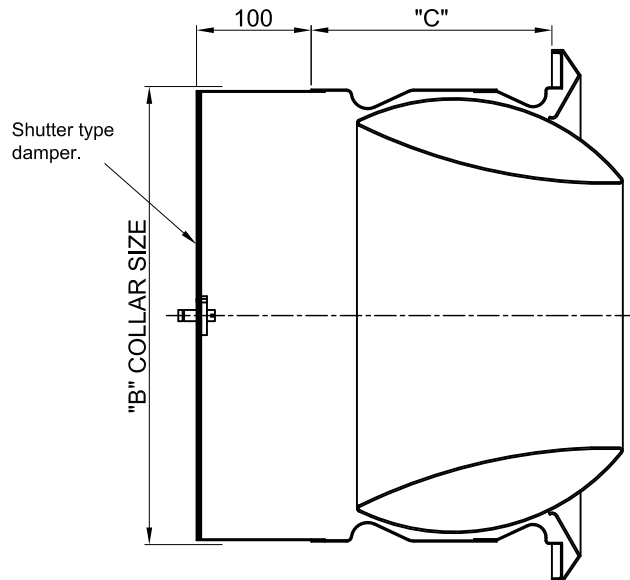


Description

- Jet Nozzles can be turned through 30 degree from its centre-line axis and rotated 360 degree.
- Thus providing universal directional throw.
- Eye ball type construction with inbuilt cone.
- Manufactured from aluminium the nozzles can be supplied spray painted or anodised or powder coated in white.
- Spring aluminium construction

2. Accessory

D Shutter type damper



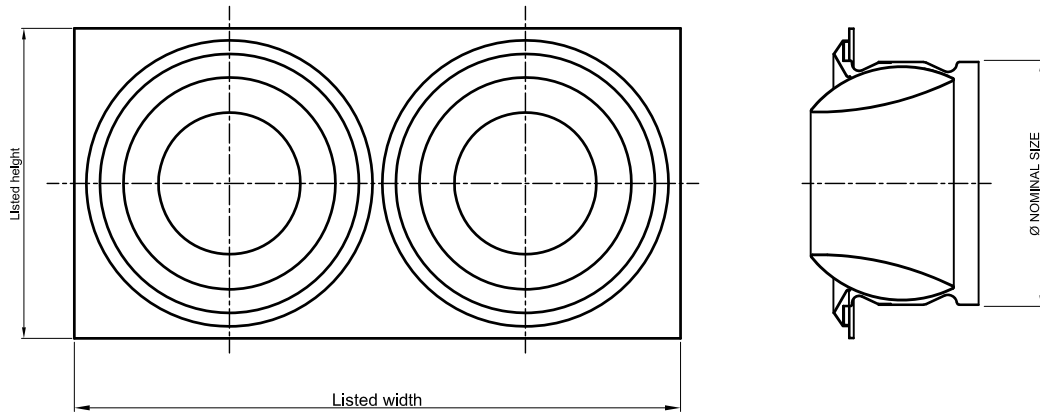
1			
Dia	Ø - "A"	Ø - "B"	"C"
100	135	100	52
180	202	170	98
240	275	220	121
280	314	260	140
325	385	325	160
400	464	400	210

All dimensions are in mm

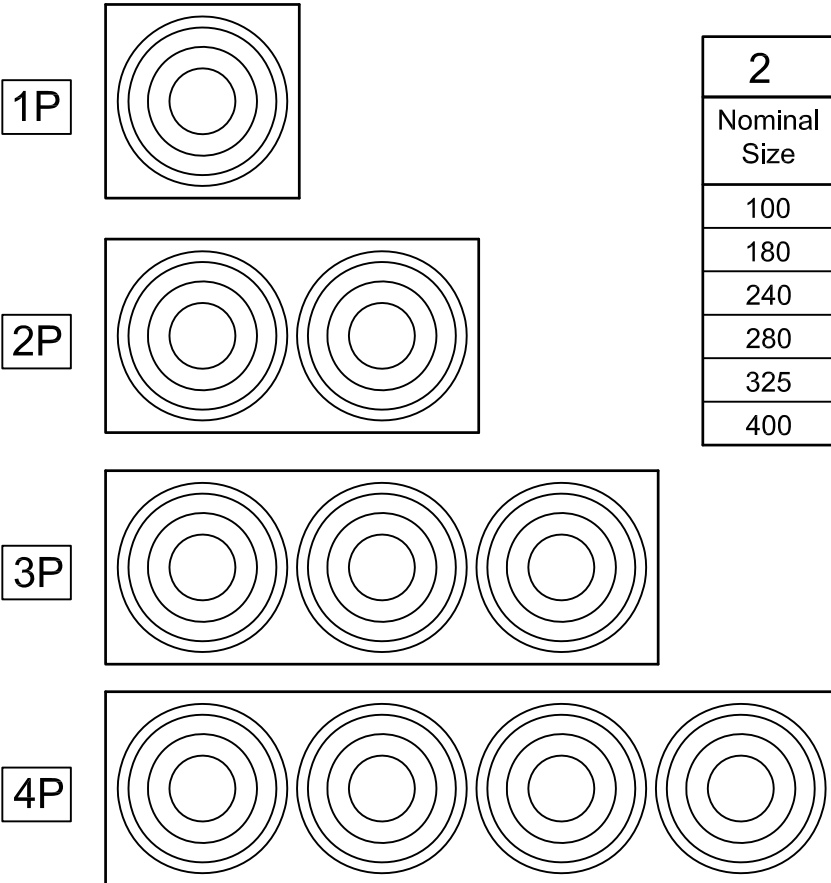
Model : JNZ- -
1 2

Note:

- This submittal is mean to demonstrate general dimension of the product. The drawing on submittal are not mean to detail every aspect of product with exactness. Drawing are not to scale. COSMOS reserve to the right to make changes without written notice.
- All Dimensions are in mm.
- Dimensions are ± 1.5mm



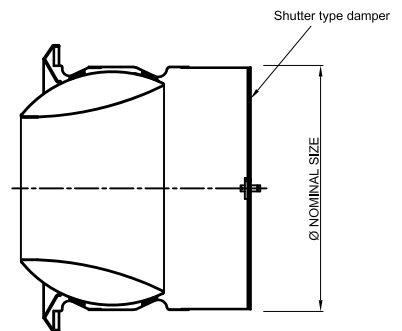
1 Panel type



Nominal Size	Listed Height	Listed Width (Number of nozzles)			
		1 P	2 P	3 P	4 P
100	174	174	325	476	627
180	241	241	459	677	895
240	314	314	605	896	1187
280	353	353	683	1013	1343
325	424	424	825	1226	1627
400	503	503	983	1463	1943

3. Accessory

D Shutter type damper made in CRCA black powder coated.



DESCRIPTION

- Construction of G.I. 0.8 mm thickness.
- Center rings angle through 60° arc
- Available for sidewall and ceiling applications.
- Diffusers offer an economical solution to air distribution problems requiring long throw.
- Ideal for spot heating or cooling in high traffic areas.

Model : JNZ- - -
 1 2 3

Note:

- This submittal is mean to demonstrate general dimension of the product. The drawing on submittal are not mean to detail every aspect of product with exactness. Drawing are not to scale. COSMOS reserve to the right to make changes without written notice.
- All Dimensions are in mm.
- Dimensions are ± 1.5mm