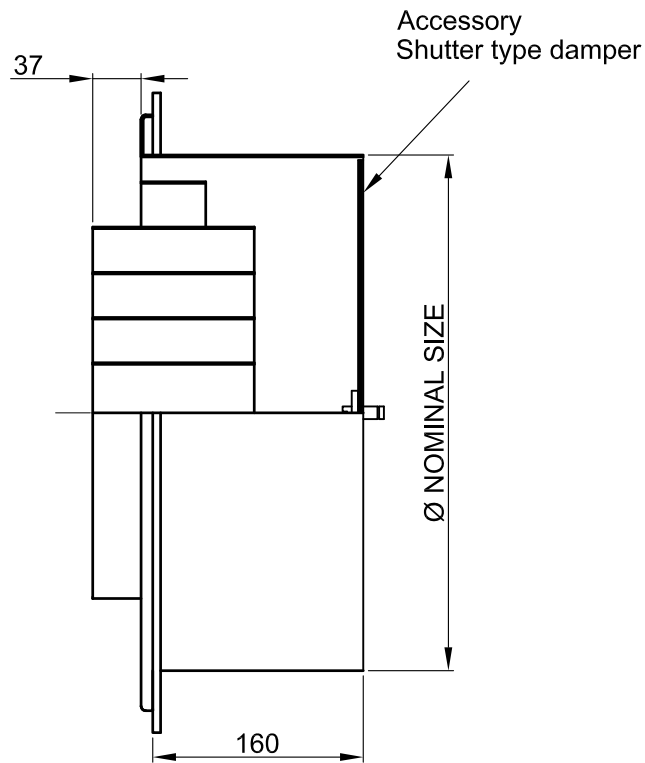
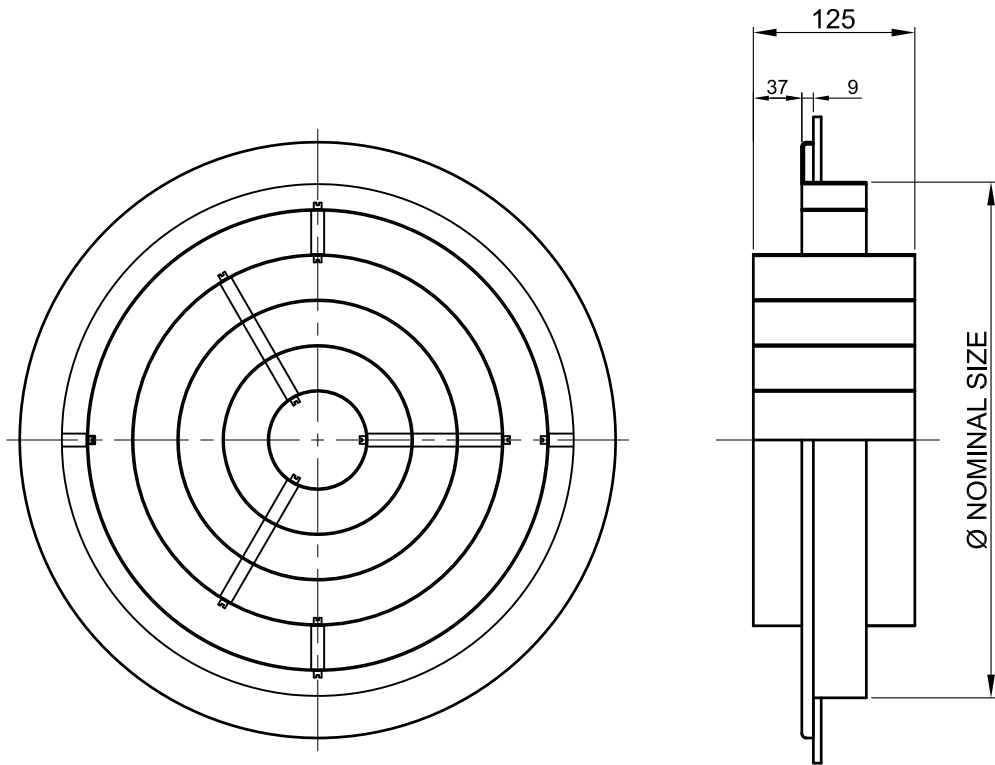
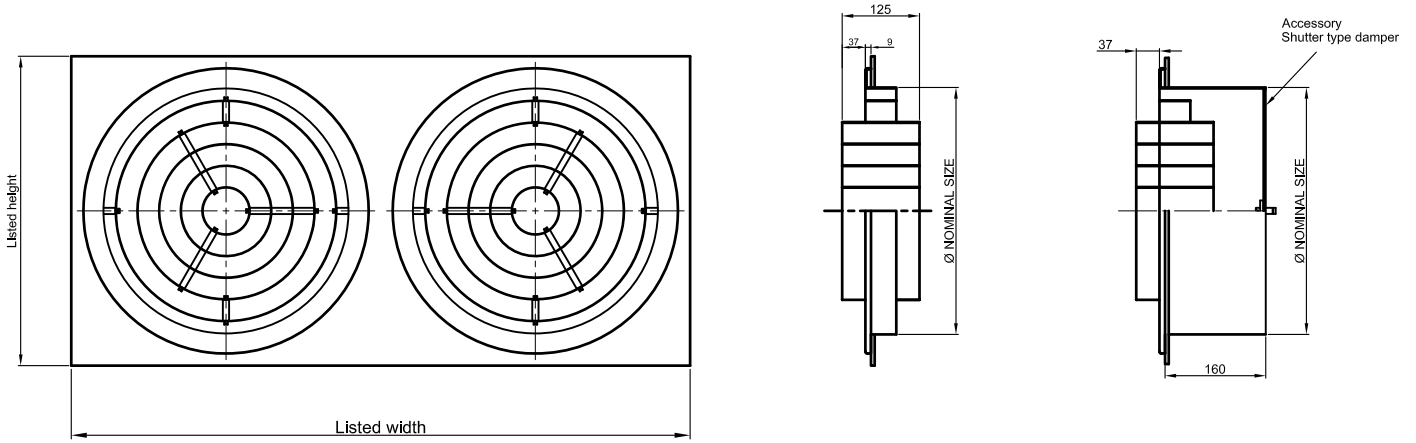


Dimensional data  
**JET FLOW DIFFUSER**

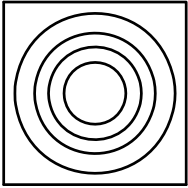


Nominal Size
150
200
250
300
350
400

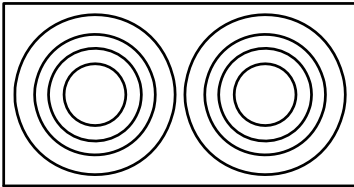
**Dimensional data**  
**Jet flow diffuser panel type**



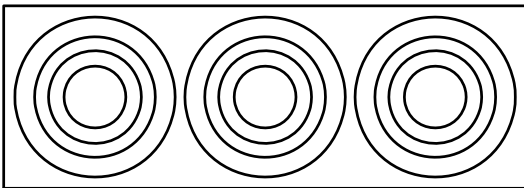
1P



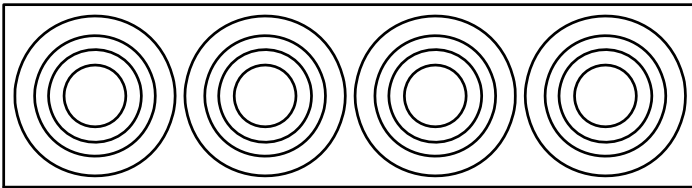
2P



3P



4P



Nominal Size	Listed Height	Listed Width (Number of diffuser)			
		1 P	2 P	3 P	4 P
150	245	245	470	695	920
200	295	295	570	845	1120
250	345	345	670	995	1320
300	395	395	770	1145	1520
350	445	445	870	1295	1720
400	495	495	970	1445	1920