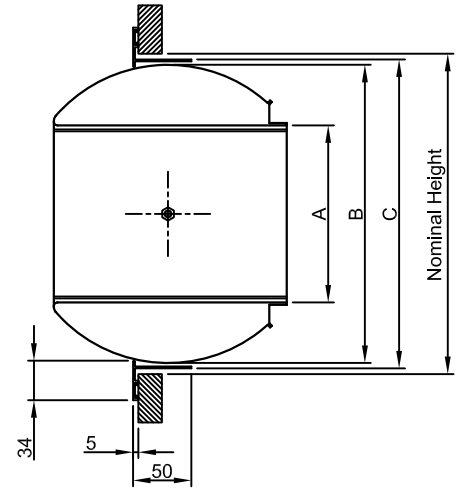
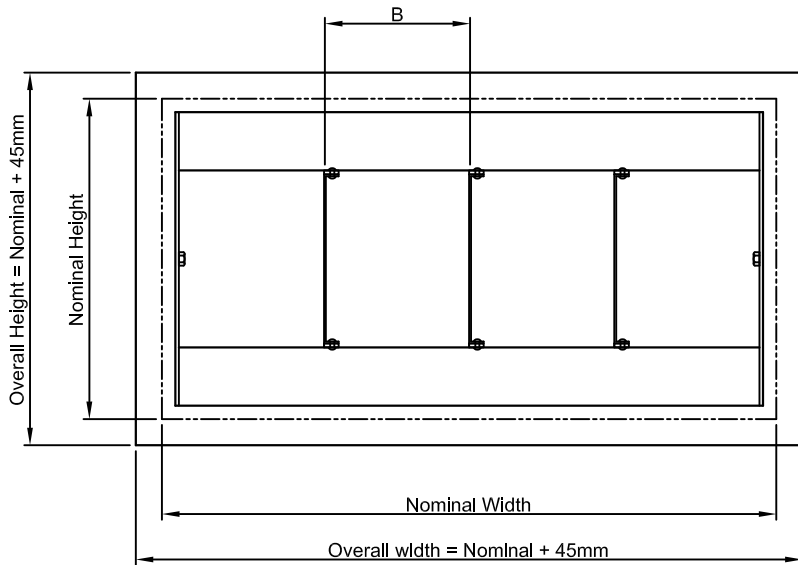


DRUM LOUVER

Extruded aluminum

SERIES : DRL



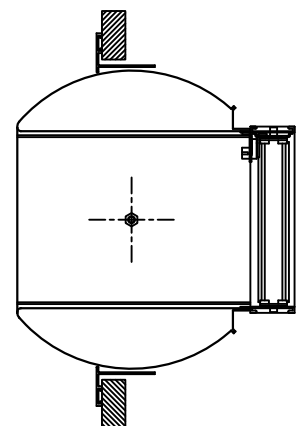
1	2							
Type	Size	Nominal Width	Nominal Height	A	B	C	D	No.blades
S	1	250	175	86	156	166	75	3
S	2	325	175	86	156	166	75	4
S	3	475	175	86	156	166	75	6
S	4	625	175	86	156	166	75	8
L	5	525	275	152	256	266	125	4
L	6	650	275	152	256	266	125	5
L	7	775	275	152	256	266	125	6
L	8	900	275	152	256	266	125	7

DESCRIPTION

- Extruded aluminum construction.
- Powder coated finish RAL - 9016.
- Standard coating thickness - 55 microns.

3. Accessory

D With attached damper



Model : DRL- - -
1 2 3

Note:

- This submittal is mean to demonstrate general dimension of the product. The drawing on submittal are not mean to detail every aspect of product with exactness. Drawing are not to scale. COSMOS reserve to the right to make changes without written notice.
- All Dimensions are in mm.
- Dimensions are ± 1.5mm