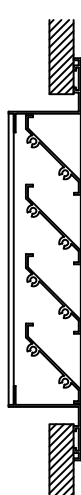
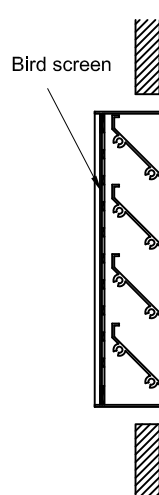
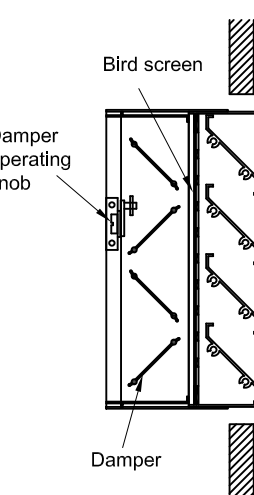
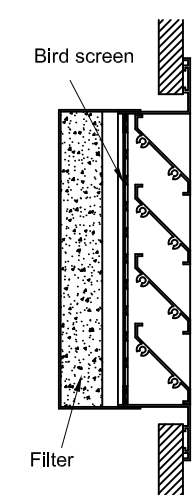
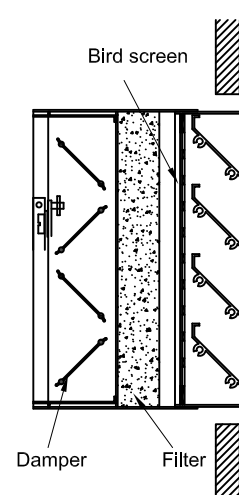


DESCRIPTION

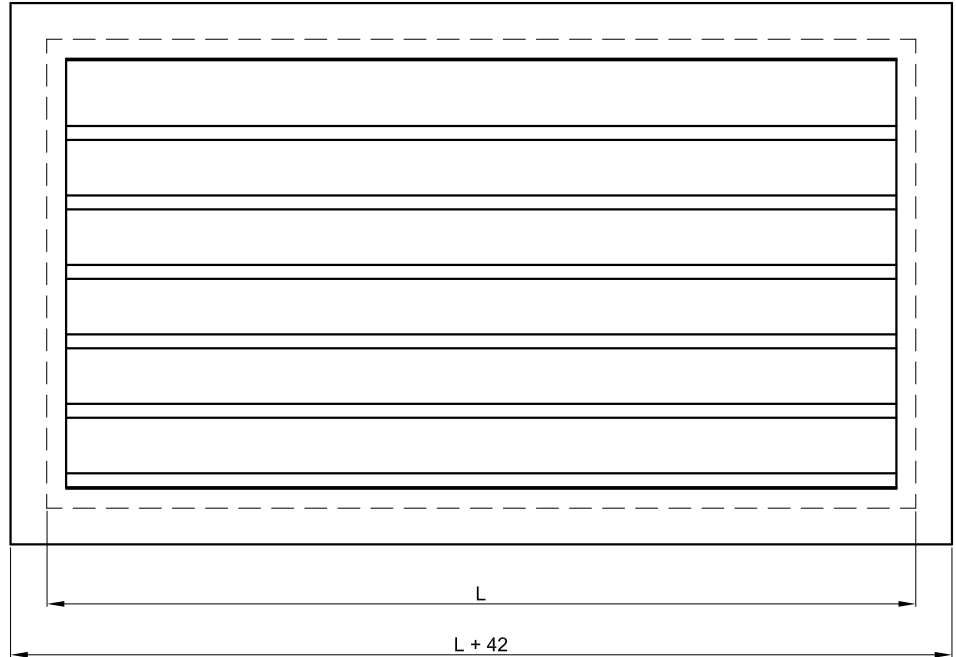
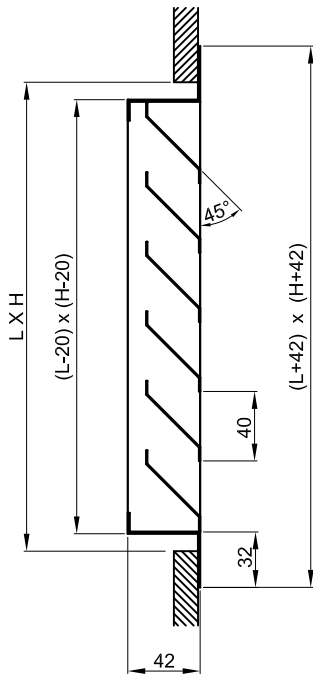
- Louvers for fresh air intake.
- Extruded aluminum construction.
- The blades are inclined at 45° on a 40 mm pitch to minimise water ingress.
- Bird wire guard in aluminium.
- RAL - 9016 powder coated.

FAL-AL	1. Options			
	<p>BS With bird screen</p>  <p>Bird screen</p>	<p>BS-D With bird screen & damper</p>  <p>Bird screen</p> <p>Damper operating knob</p> <p>Damper</p>	<p>BS-FLT With bird screen & filter</p>  <p>Bird screen</p> <p>Filter</p>	<p>BS-FLT-D With bird screen, filter & damper</p>  <p>Bird screen</p> <p>Damper</p> <p>Filter</p>

Model : FAL-AL-

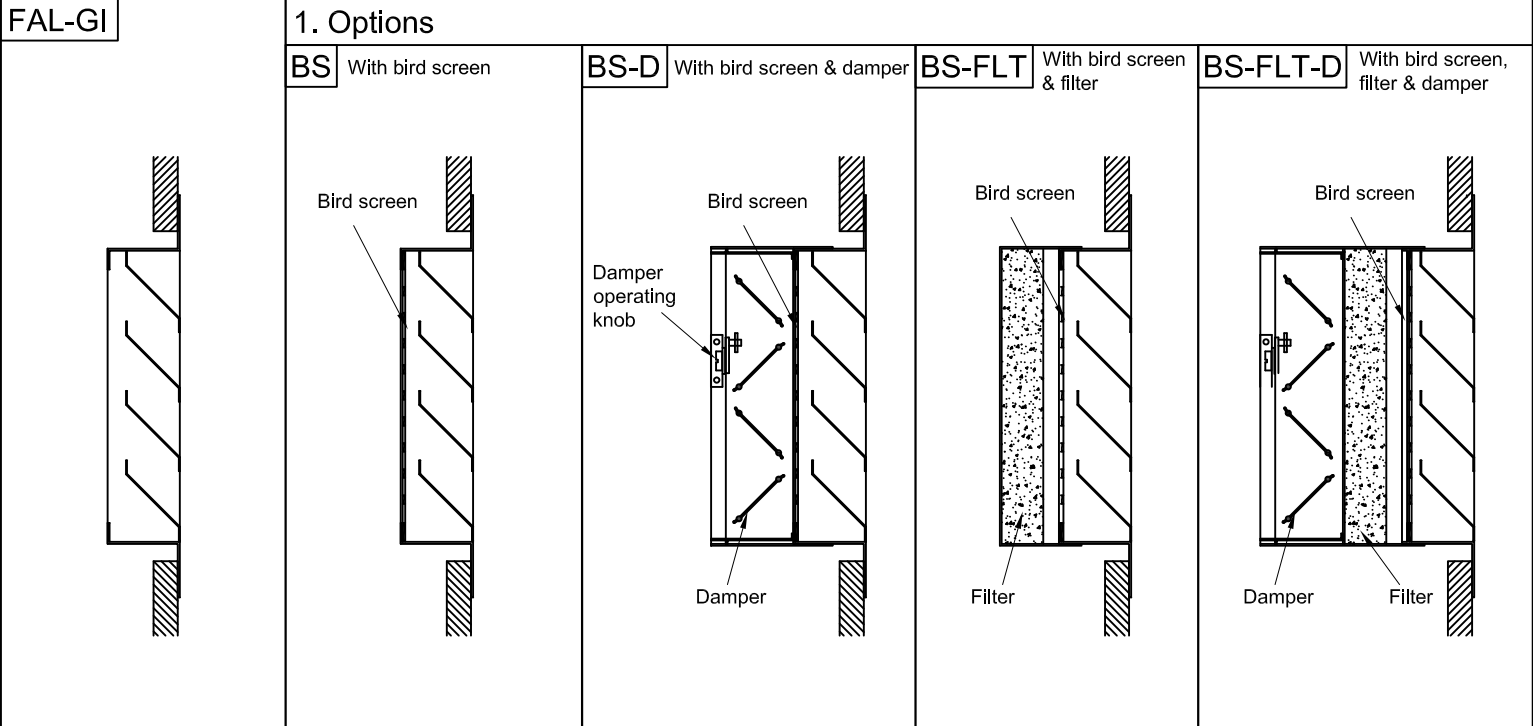
Note:

- This submittal is mean to demonstrate general dimension of the product. The drawing on submittal are not mean to detail every aspect of product with exactness. Drawing are not to scale. COSMOS reserve to the right to make changes without written notice.
- All Dimensions are in mm.
- Dimensions are ± 1.5mm



DESCRIPTION

- Louvers for fresh air intake.
- Construction in G.I. 0.6 mm louvers & frame 1.2 mm.
- The blades are inclined at 45° on a 40 mm pitch to minimise water ingress.
- Bird wire guard in GI.
- RAL - 9016 powder coated as optional.



Model : FAL-GI-

1

Note:

- This submittal is mean to demonstrate general dimension of the product. The drawing on submittal are not mean to detail every aspect of product with exactness. Drawing are not to scale. COSMOS reserve to the right to make changes without written notice.
- All Dimensions are in mm.
- Dimensions are ± 1.5mm