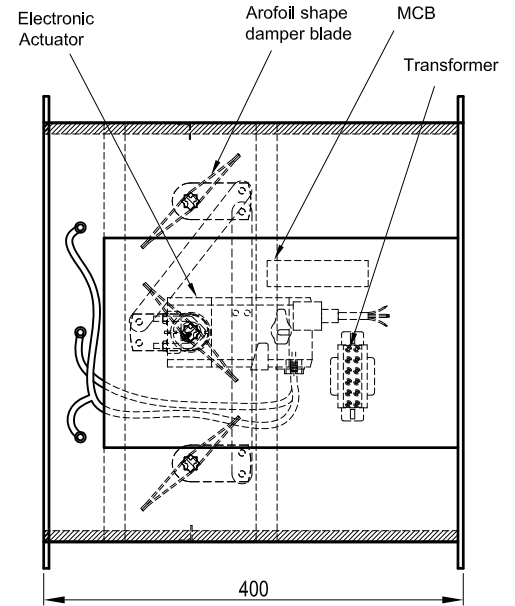


FRONT VIEW



SIDE VIEW

Description

- Casing 22 G. galvanized steel rectangular inlet.
- Inbuild volume control damper.
- Supply with BMS compatible actuator controller & thermostat.
- Internally line casing utilizing opencell elastomeric nitrile foam rubber, fiber free, super silent & microban resistant.

Model : VAV-D

Note:

- This submittal is mean to demonstrate general dimension of the product. The drawing on submittal are not mean to detail every aspect of product with exactness. Drawing are not to scale. COSMOS reserve to the right to make changes without written notice.
- All Dimensions are in mm.
- Dimensions are $\pm 1.5\text{mm}$