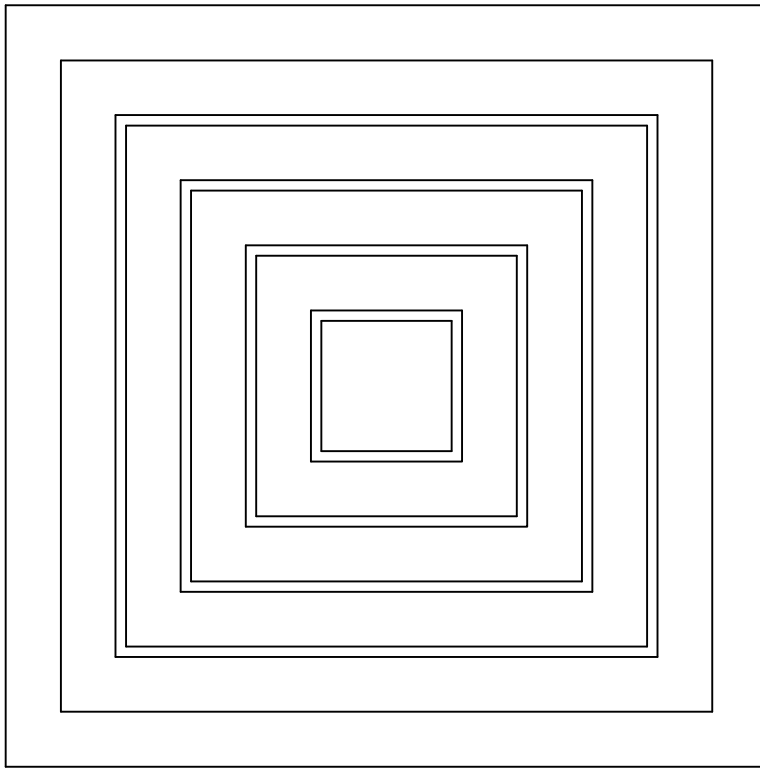
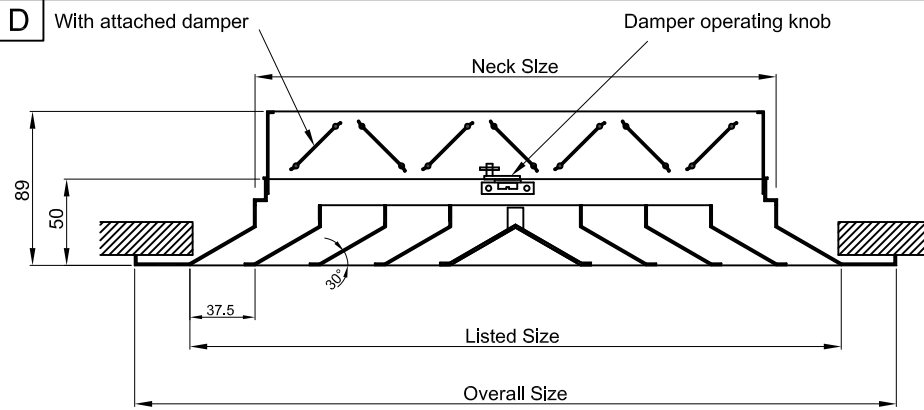
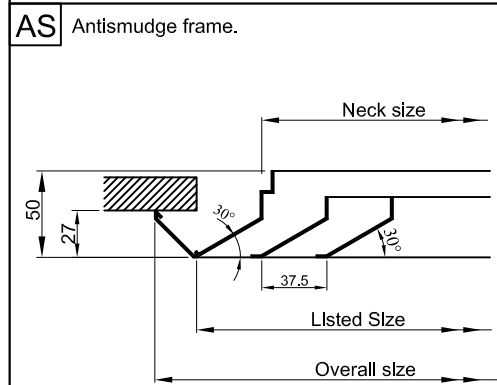
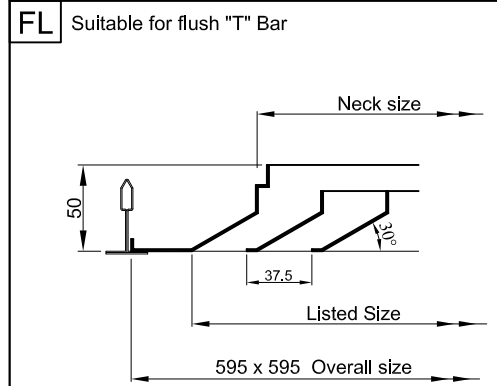
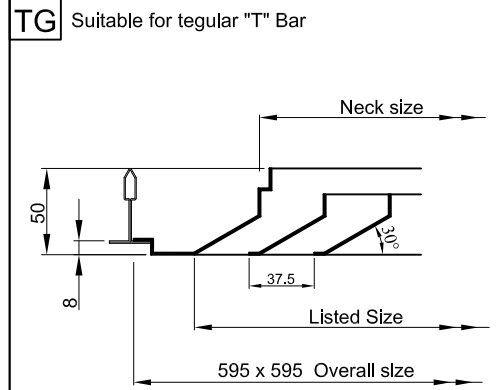
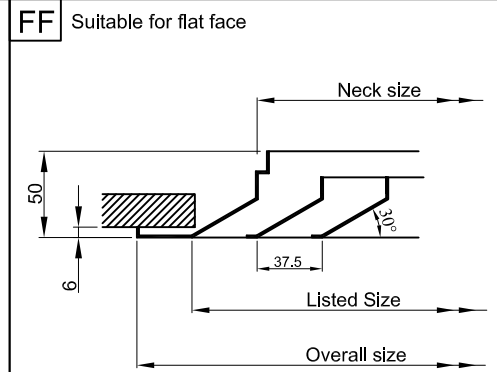


3. Accessory



1. Frame Options



2 Size	Neck size	Listed size	Overall Size		
			FF	TG / FL	AS
1	150 x 150	225 x 225	289 x 289	595 x 595	273 x 273
2	225 x 225	300 x 300	364 x 364	595 x 595	348 x 348
3	300 x 300	375 x 375	439 x 439	595 x 595	423 x 423
4	375 x 375	450 x 450	514 x 514	595 x 595	498 x 498
5	450 x 450	525 x 525	589 x 589	595 x 595	573 x 573

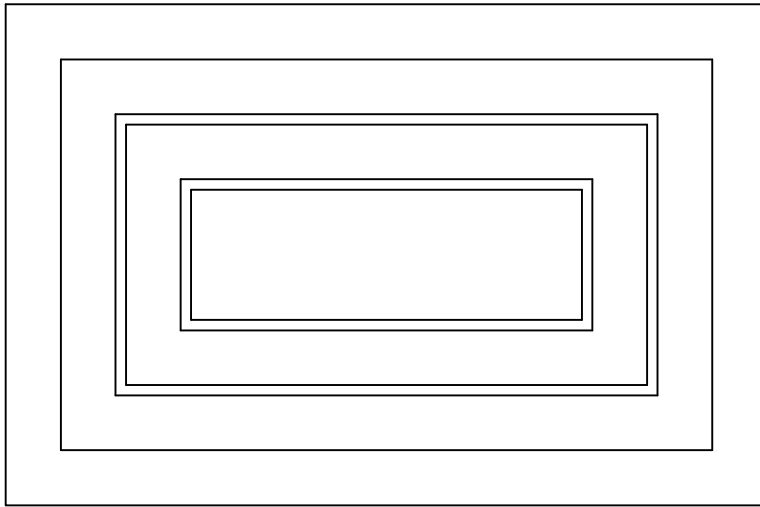
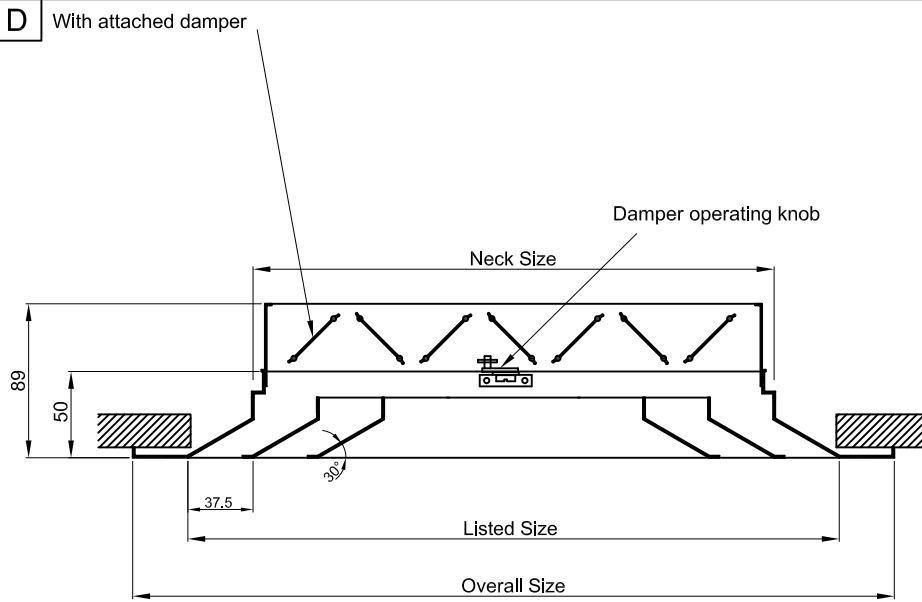
- DESCRIPTION**
- Extruded aluminium construction.
 - Removal core type.
 - Powder coated finish RAL - 9016.
 - Standard coating thickness - 55 microns.

Model : SQL-4---
 1 2 3

Note:

- This submittal is mean to demonstrate general dimension of the product. The drawing on submittal are not mean to detail every aspect of product with exactness. Drawing are not to scale. COSMOS reserve to the right to make changes without written notice.
- All Dimensions are in mm.
- Dimensions are ± 1.5mm

2. Accessory



DESCRIPTION

- Extruded aluminium construction.
- Removal core type.
- Powder coated finish RAL - 9016.
- Standard coating thickness - 55 microns.

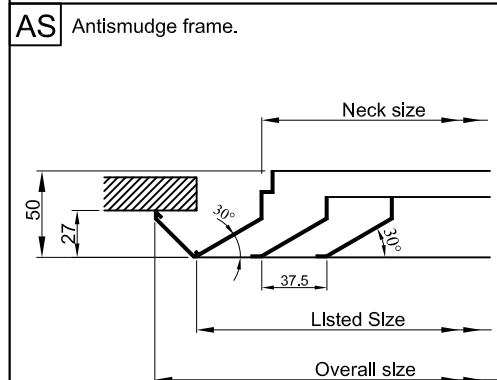
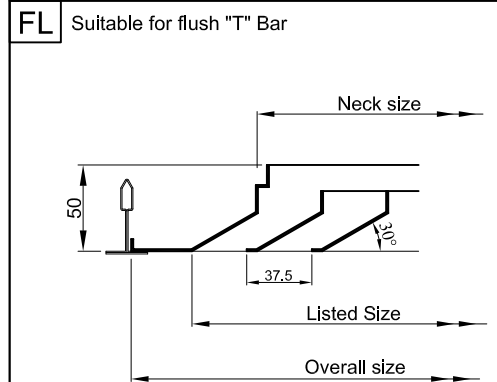
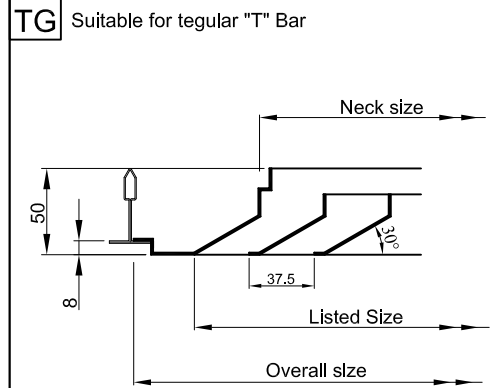
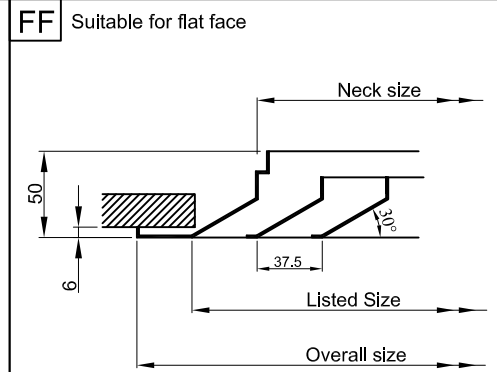
Model : RTL-4- **-**

1 2

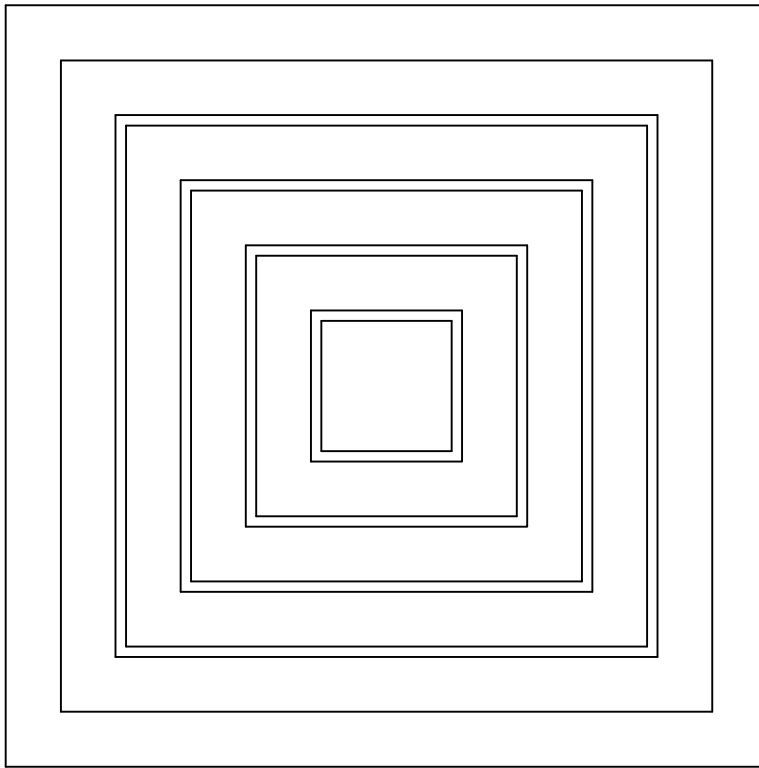
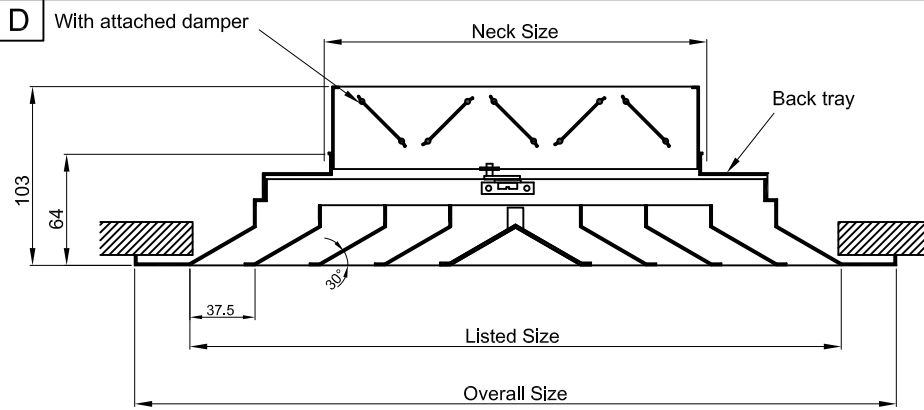
Note:

- This submittal is mean to demonstrate general dimension of the product. The drawing on submittal are not mean to detail every aspect of product with exactness. Drawing are not to scale. COSMOS reserve to the right to make changes without written notice.
- All Dimensions are in mm.
- Dimensions are $\pm 1.5\text{mm}$

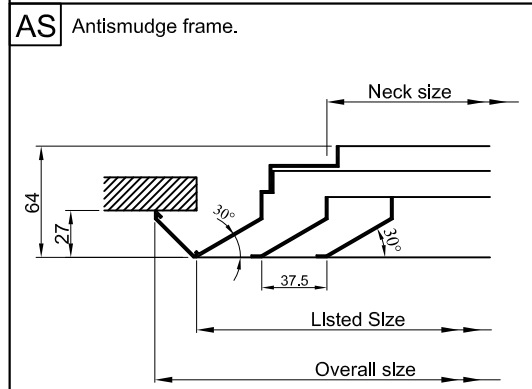
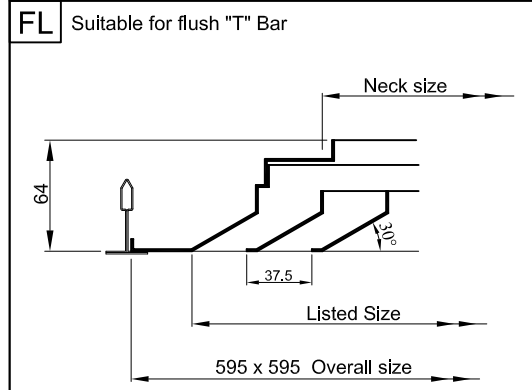
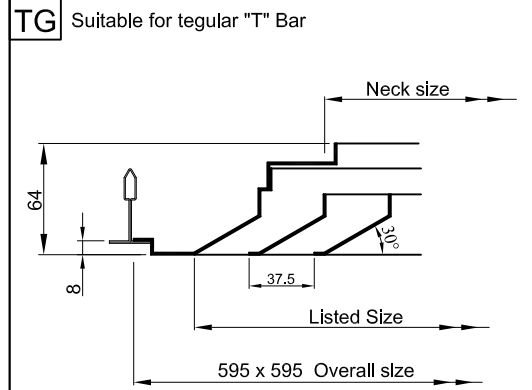
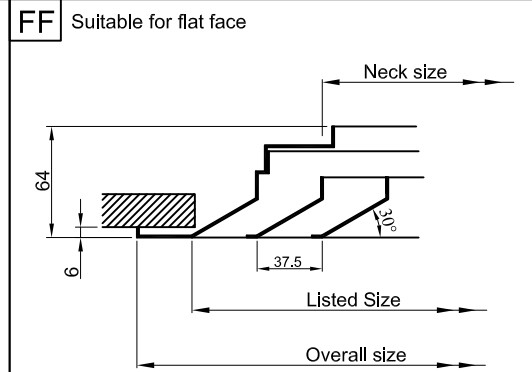
1. Frame Options



3. Accessory



1. Frame Options



2 Size	Neck size	Listed size	Overall Size		
			FF	TG / FL	AS
1	150 x 150	525 x 525	589 x 589	595 x 595	573 x 573
2	225 x 225				
3	300 x 300				
4	375 x 375				

- DESCRIPTION**
- Extruded aluminium construction.
 - Removal core type.
 - Powder coated finish RAL - 9016.
 - Standard coating thickness - 55 microns.

Model : SQL-4--BT--

1 2 3

Note:

- This submittal is mean to demonstrate general dimension of the product. The drawing on submittal are not mean to detail every aspect of product with exactness. Drawing are not to scale. COSMOS reserve to the right to make changes without written notice.
- All Dimensions are in mm.
- Dimensions are ± 1.5mm