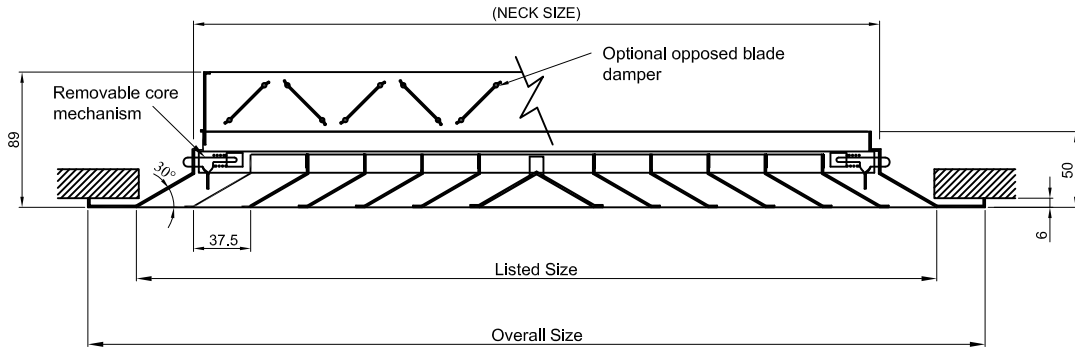


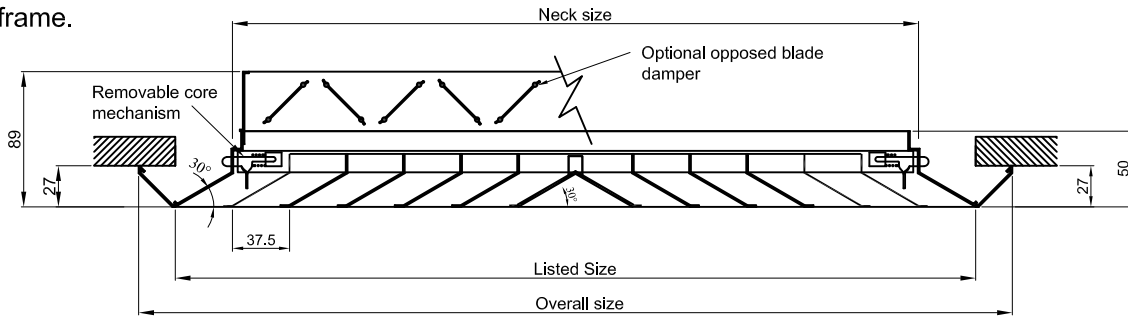
Dimensional data

SQUARE LOUVERED FACE DIFFUSER

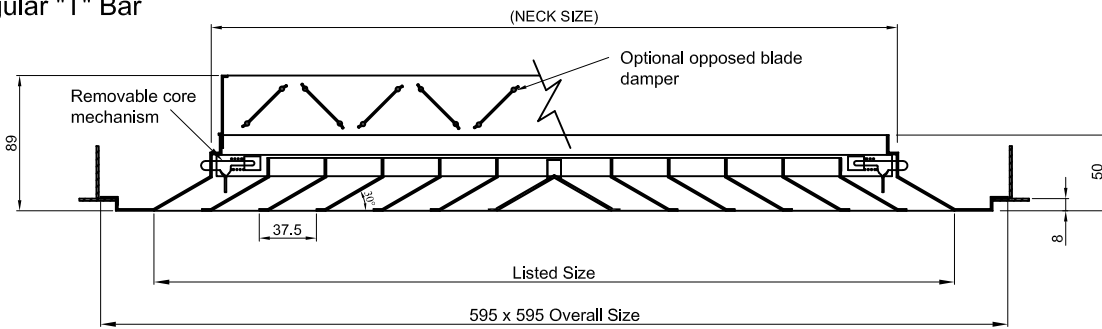
Suitable for flat face  
(FF Frame)



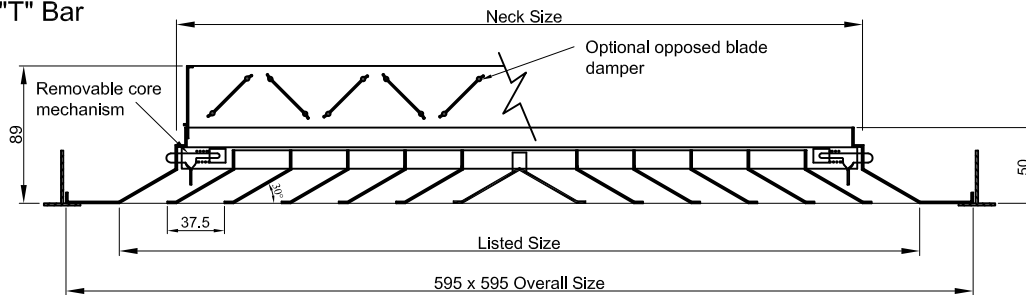
Antismudge frame.  
(AS Frame)



Suitable for tegular "T" Bar  
(TG Frame)



Suitable for flush "T" Bar  
(FL Frame)

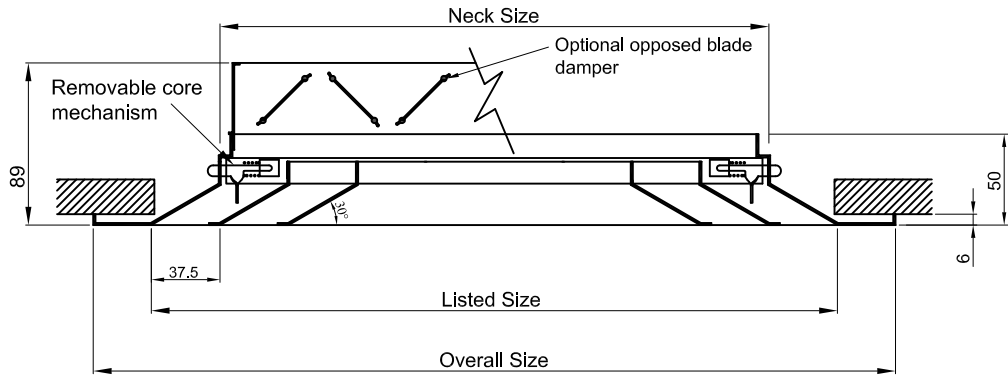


Sr.no.	Neck size	Listed size	Overall Size		
			FF	TG / FL	AS
1	150 x 150	225 x 225	289 x 289	595 x 595	273 x 273
2	225 x 225	300 x 300	364 x 364	595 x 595	348 x 348
3	300 x 300	375 x 375	439 x 439	595 x 595	423 x 423
4	375 x 375	450 x 450	514 x 514	595 x 595	498 x 498
5	450 x 450	525 x 525	589 x 589	595 x 595	573 x 573

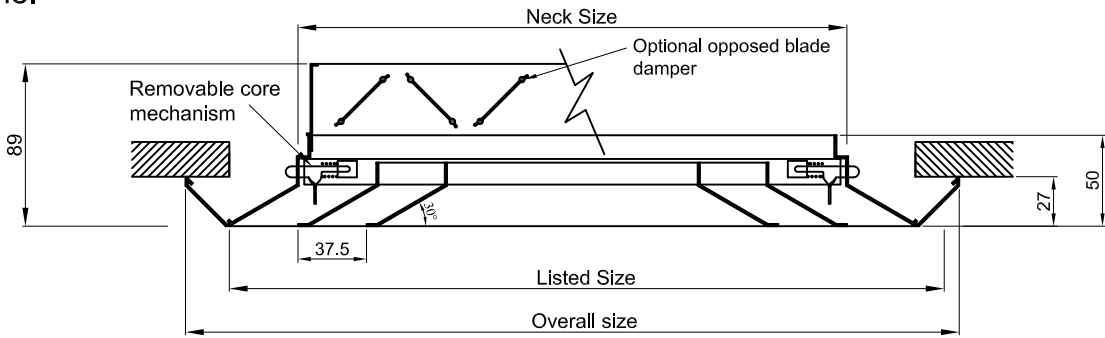
Dimensional data

RECTANGULAR LOUVERED FACE DIFFUSER

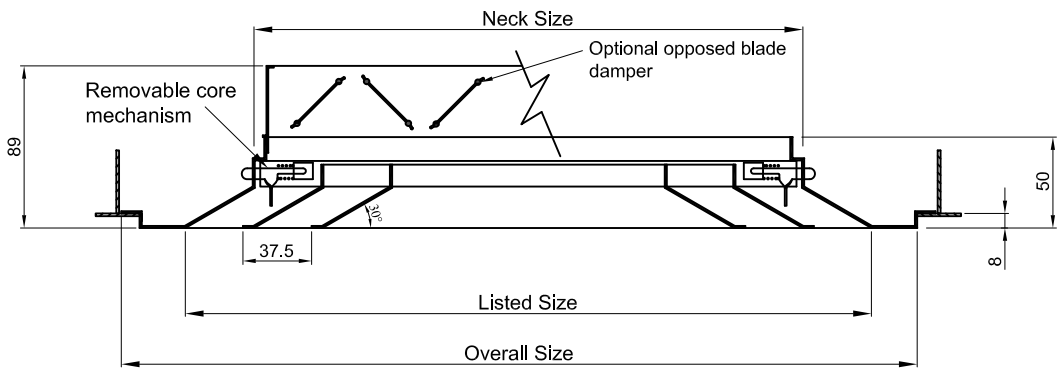
Suitable for flat face  
(FF Frame)



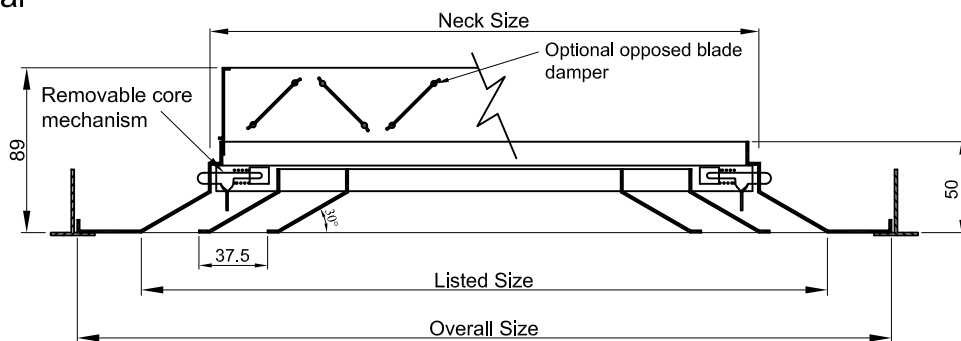
Antismudge frame.  
(AS Frame)



Suitable for tegular "T" Bar  
(TG Frame)



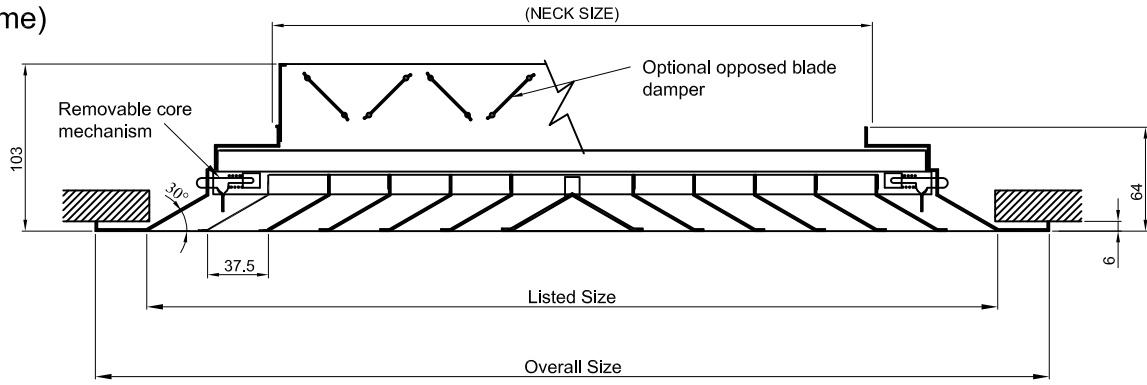
Suitable for flush "T" Bar  
(FL Frame)



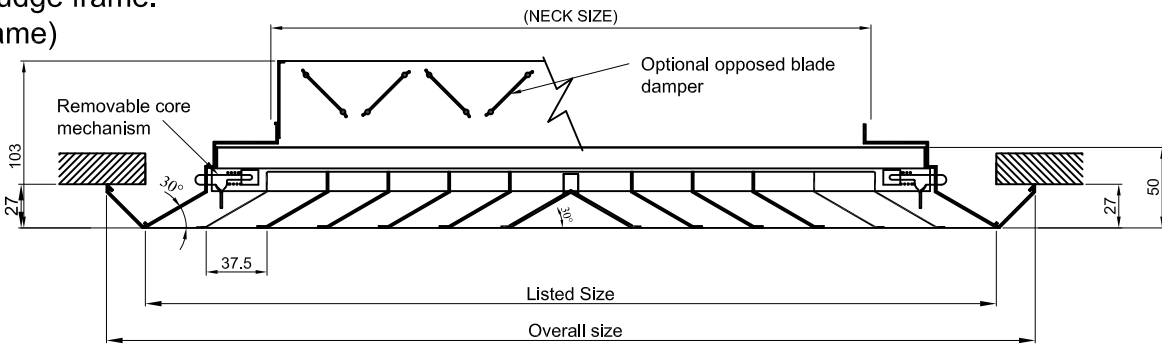
Dimensional data

SQUARE LOUVERED FACE DIFFUSER (BACK TRAY TYPE)

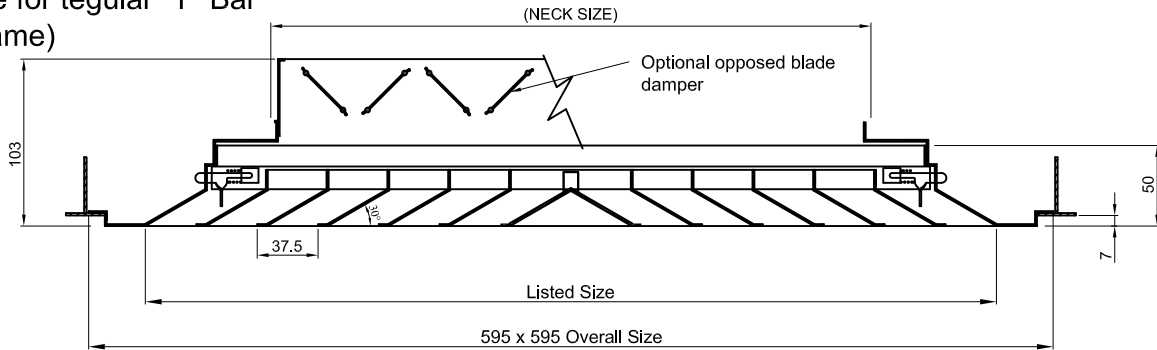
Suitable for flat face  
(FF Frame)



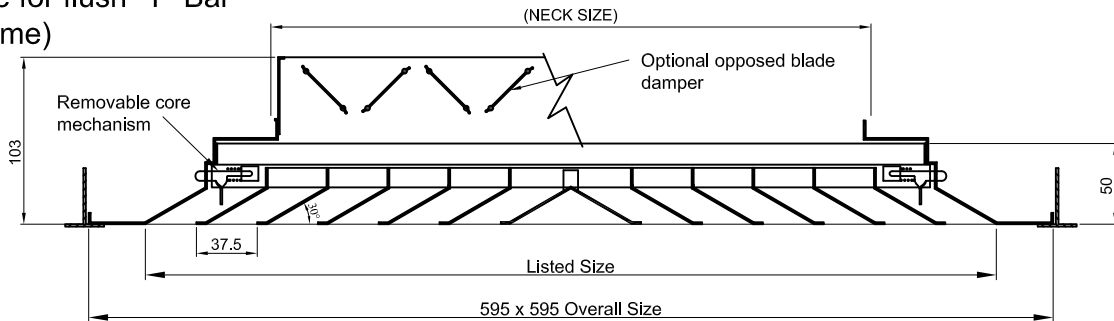
Antismudge frame.  
(AS Frame)



Suitable for tegular "T" Bar  
(TG Frame)



Suitable for flush "T" Bar  
(FL Frame)



Neck size	Listed size	Overall Size		
		FF	TG / FL	AS
150 x 150	525 x 525	589 x 589	595 x 595	573 x 573
225 x 225				
300 x 300				
375 x 375				