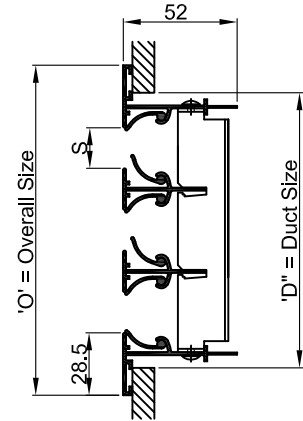
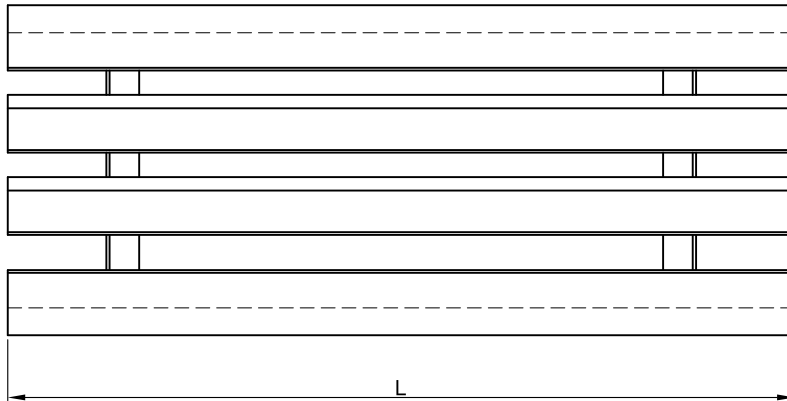
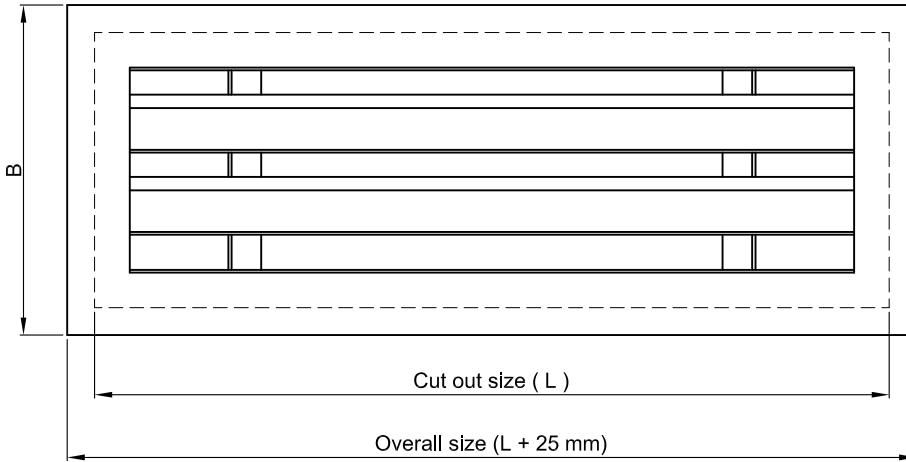


**3. Frame option**

**C** Without end flanges (Continuous type.)



**F** With end flanges



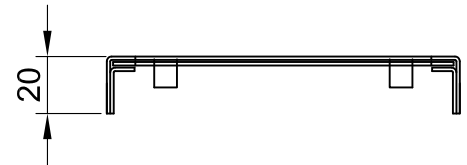
| 2.             | 1. Slot width |     |           |     |           |     |
|----------------|---------------|-----|-----------|-----|-----------|-----|
|                | 50            |     | 75        |     | 100       |     |
|                | S = 12.5 mm   |     | S = 19 mm |     | S = 25 mm |     |
| NUMBER OF SLOT | D             | O   | D         | O   | D         | O   |
| 1              | 45            | 70  | 51        | 76  | 57        | 82  |
| 2              | 76            | 101 | 88        | 113 | 101       | 126 |
| 3              | 108           | 133 | 126       | 151 | 145       | 170 |
| 4              | 139           | 164 | 163       | 188 | 189       | 214 |
| 5              | 171           | 196 | 201       | 226 | 233       | 258 |
| 6              | 202           | 227 | 238       | 263 | 277       | 302 |
| 7              | 234           | 259 | 276       | 301 | 321       | 346 |
| 8              | 265           | 290 | 313       | 338 | 365       | 390 |

**DESCRIPTION**

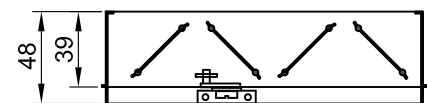
- Extruded aluminum construction.
- Powder coated finish RAL - 9016.
- Standard coating thickness - 55 microns.
- Deflector finish black matt.
- Removable inner sections.

**4. Accessory**

**HM** Heat and miss damper.



**D** Opposed blade damper.



Model : SD-  -  -  -

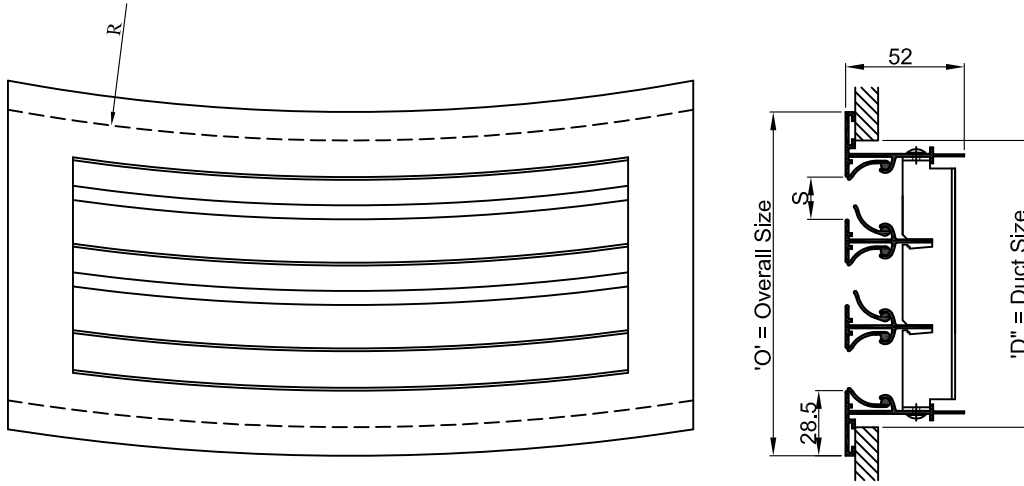
1      2      3      4

**Note:**

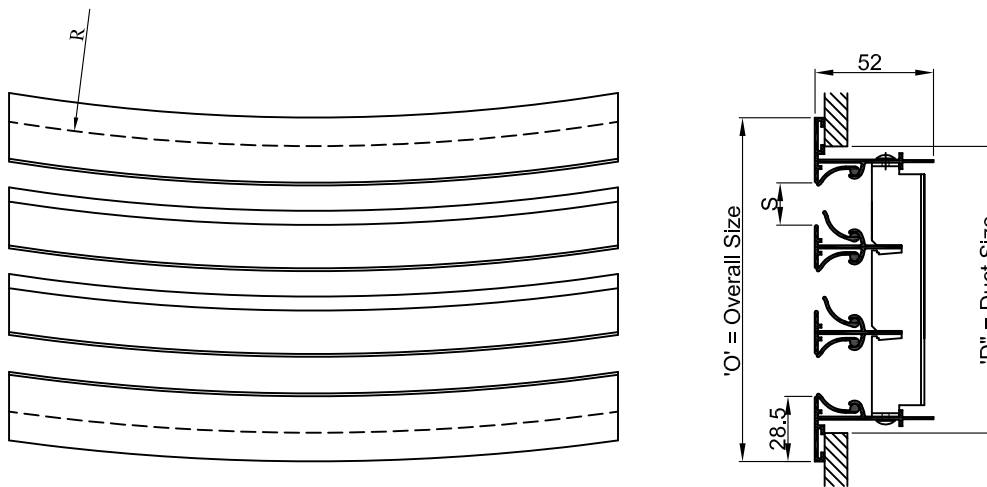
- This submittal is mean to demonstrate general dimension of the product. The drawing on submittal are not mean to detail every aspect of product with exactness. Drawing are not to scale. COSMOS reserve to the right to make changes without written notice.
- All Dimensions are in mm.
- Dimensions are ± 1.5mm

**4. Curve Options**

**F** Suitable for curve ceiling installation with end flange.



**C** Suitable for curve ceiling installation with end flange.



**DESCRIPTION**

- Extruded aluminum construction.
- Powder coated finish RAL - 9016.
- Standard coating thickness - 55 microns.
- Deflector finish black matt.
- Removable inner sections.

| 2.             | 1.          |     |           |     |           |     |
|----------------|-------------|-----|-----------|-----|-----------|-----|
|                | 50          |     | 75        |     | 100       |     |
|                | S = 12.5 mm |     | S = 19 mm |     | S = 25 mm |     |
| NUMBER OF SLOT | D           | O   | D         | O   | D         | O   |
| 1              | 45          | 70  | 51        | 76  | 57        | 82  |
| 2              | 76          | 101 | 88        | 113 | 101       | 126 |
| 3              | 108         | 133 | 126       | 151 | 145       | 170 |
| 4              | 139         | 164 | 163       | 188 | 189       | 214 |
| 5              | 171         | 196 | 201       | 226 | 233       | 258 |
| 6              | 202         | 227 | 238       | 263 | 277       | 302 |
| 7              | 234         | 259 | 276       | 301 | 321       | 346 |
| 8              | 265         | 290 | 313       | 338 | 365       | 390 |

Model : SD-  -  - CUH -

1            2            3            4

**Note:**

- This submittal is mean to demonstrate general dimension of the product. The drawing on submittal are not mean to detail every aspect of product with exactness. Drawing are not to scale. COSMOS reserve to the right to make changes without written notice.
- All Dimensions are in mm.
- Dimensions are ± 1.5mm