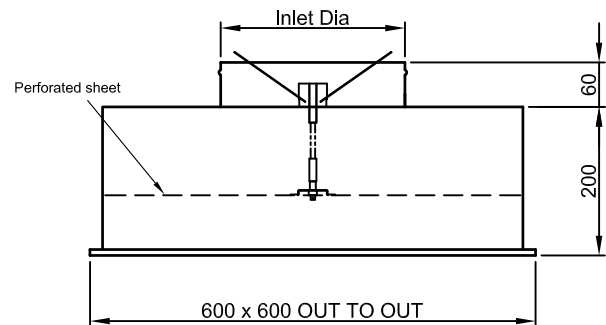
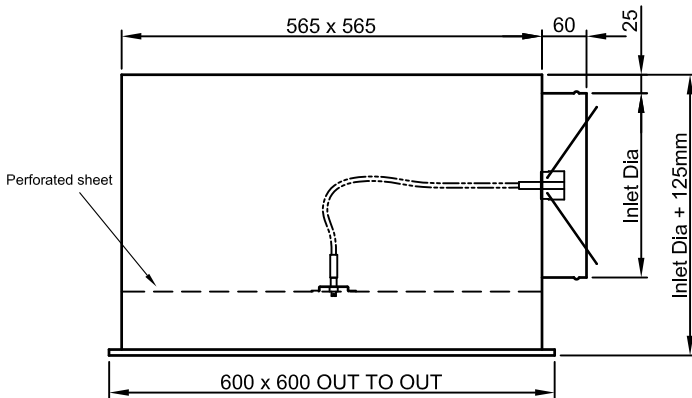


1. Inlet options

21 Side inlet plenum

21 Top inlet plenum



Description.

Aluminium powder coated diffuser for modulator ceiling.
 Factory set fixed blades for swirl air distribution.

Model : RVSD-FL-

Note:

- This submittal is mean to demonstrate general dimension of the product. The drawing on submittal are not mean to detail every aspect of product with exactness. Drawing are not to scale. COSMOS reserve to the right to make changes without written notice.
- All Dimensions are in mm.
- Dimensions are ± 1.5mm