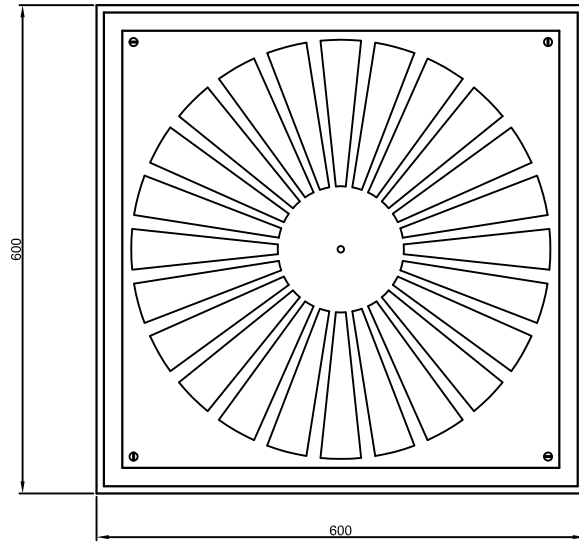
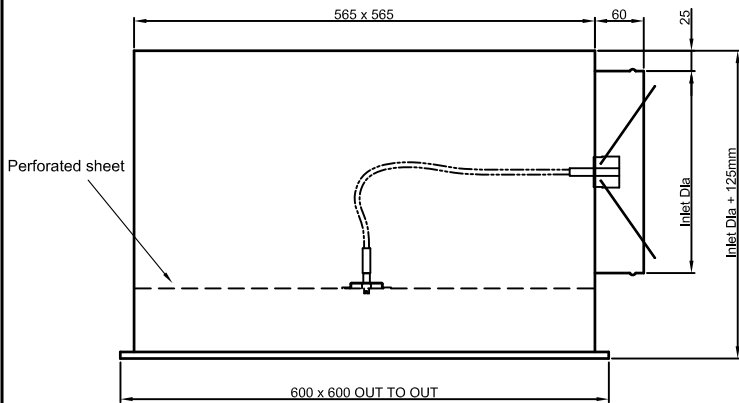


Dimensional data

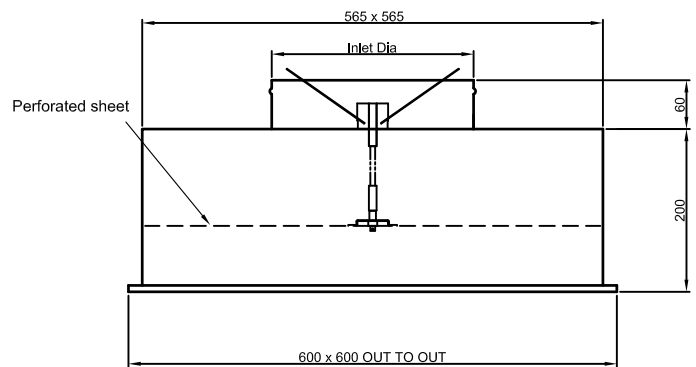
RADIAL VANE SWIRL DIFFUSER



Side inlet plenum



Top inlet plenum



Inlet Dia
400
350
300
250
200
150
100