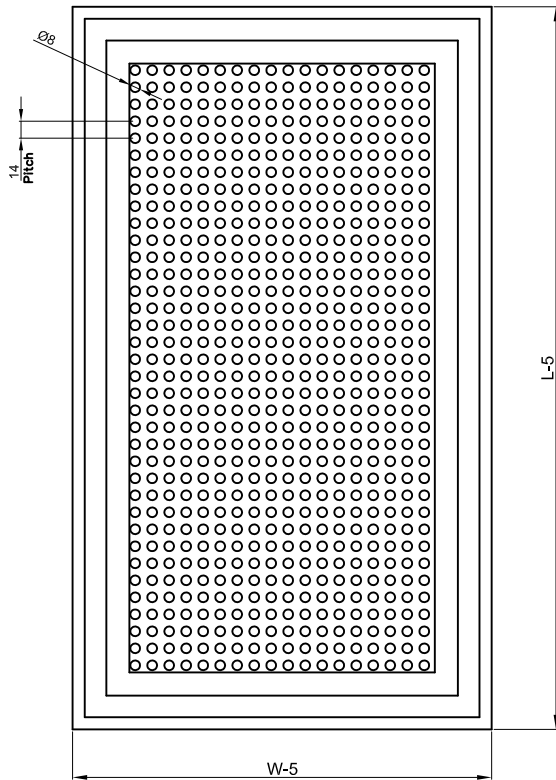
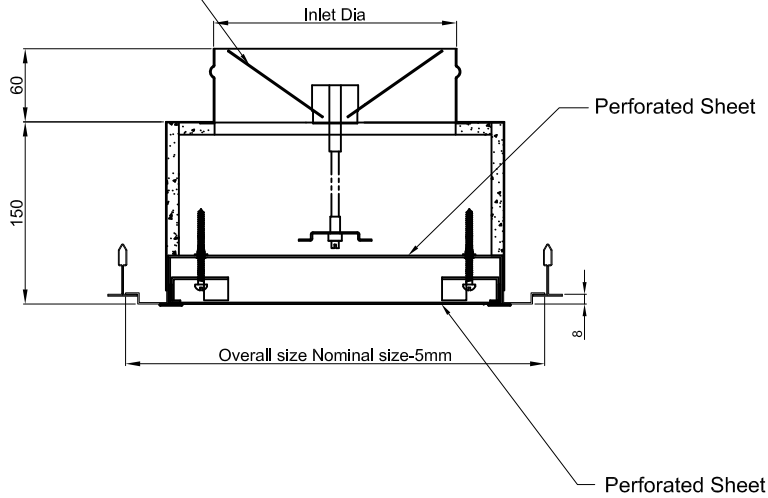


2. Accessory

**D** Butterfly damper

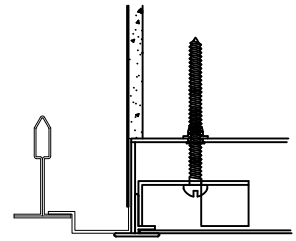


DESCRIPTION

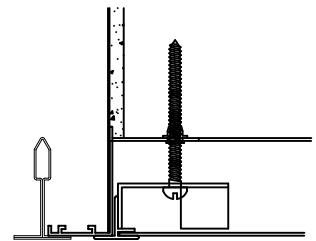
- Extruded aluminium construction.
- Removal core type.
- Powder coated finish RAL - 9016.
- Standard coating thickness - 55 microns.
- Butterfly type volume control damper kit.
- Damper mounts directly to plenum inlet neck (round only). The bracket with operator screw mounts inside the plenum above the diffuser.
- G.I.- 24 G Constructed plenum box.
- 6 mm Nitrile rubber insulation

1. Frame Options

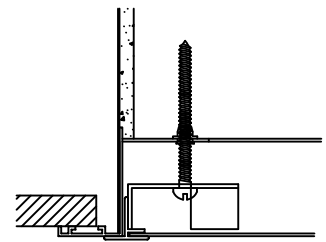
**TG** Suitable for tegular "T" Bar



**FL** Suitable for flush "T" Bar



**FF** Suitable for flat face



Inlet Dia	Nominal Size length x Width
150, 200	600 x 300
150, 200	900 x 300
150, 200	1200 x 300
150, 200	1500 x 300
150, 200, 250,300	600 x 600
150, 200, 250,300	900 x 600
150, 200, 250,300	1200 x 600
150, 200, 250,300	1500 x 600

Model : LFD-  -   
                  1      2

**Note:**

- This submittal is mean to demonstrate general dimension of the product. The drawing on submittal are not mean to detail every aspect of product with exactness. Drawing are not to scale. COSMOS reserve to the right to make changes without written notice.
- All Dimensions are in mm.
- Dimensions are ± 1.5mm