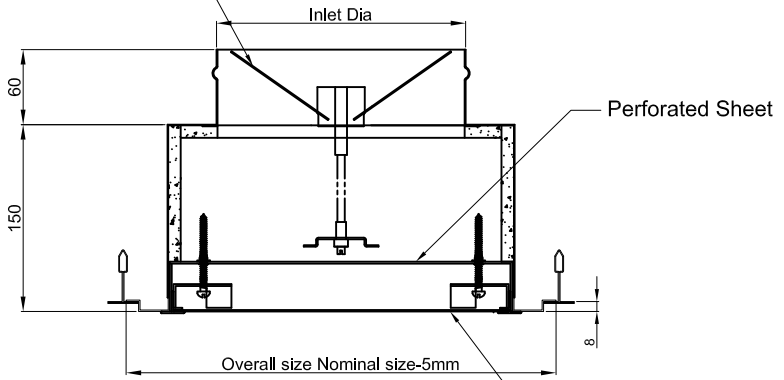


Dimensional data

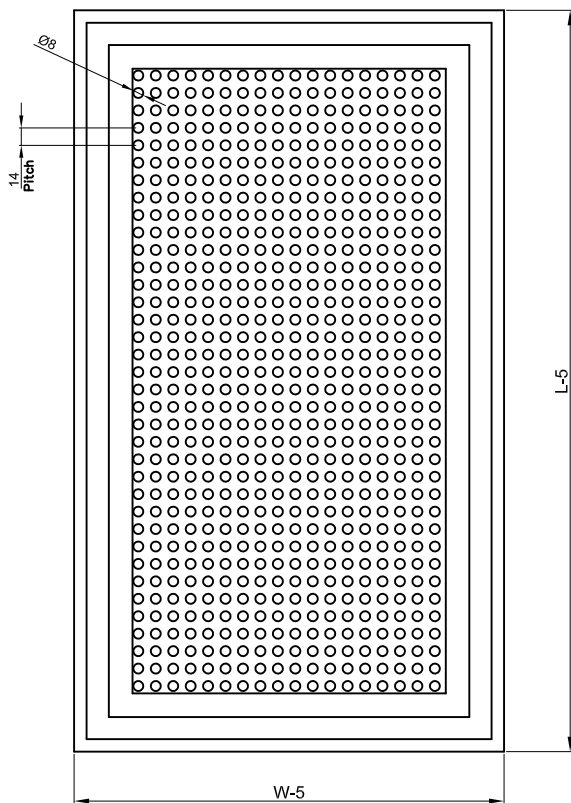
LAMINAR FLOW DIFFUSER

Butterfly damper

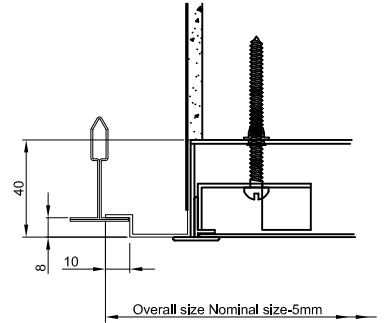


Perforated Sheet

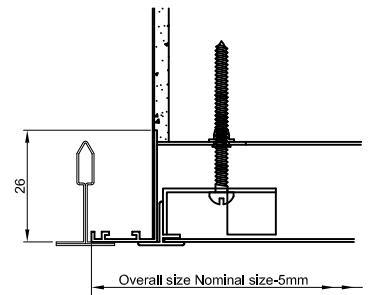
Perforated Sheet



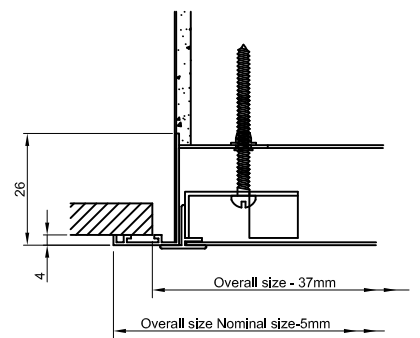
Suitable for tegular "T" Bar



Suitable for flush "T" Bar



Suitable for flat face

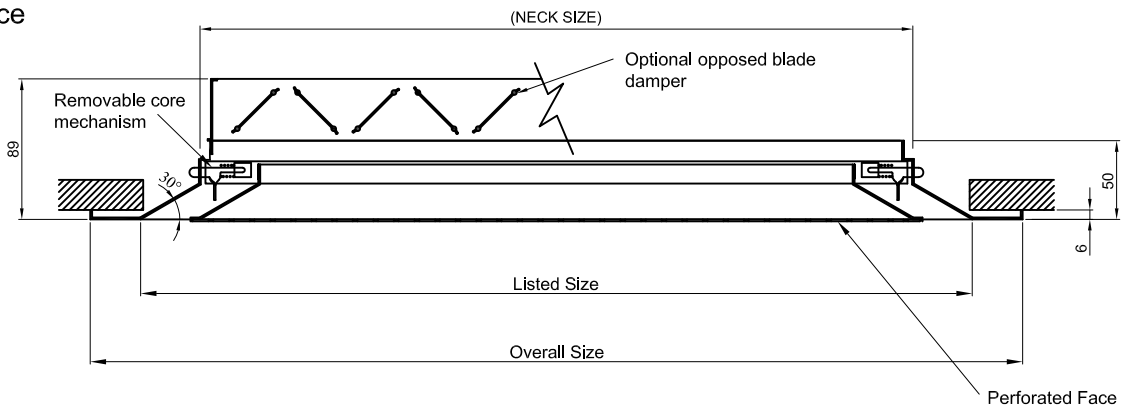


Inlet Dia	Nominal Size length x Width
150, 200	600 x 300
150, 200	900 x 300
150, 200	1200 x 300
150, 200	1500 x 300
150, 200, 250,300	600 x 600
150, 200, 250,300	900 x 600
150, 200, 250,300	1200 x 600
150, 200, 250,300	1500 x 600

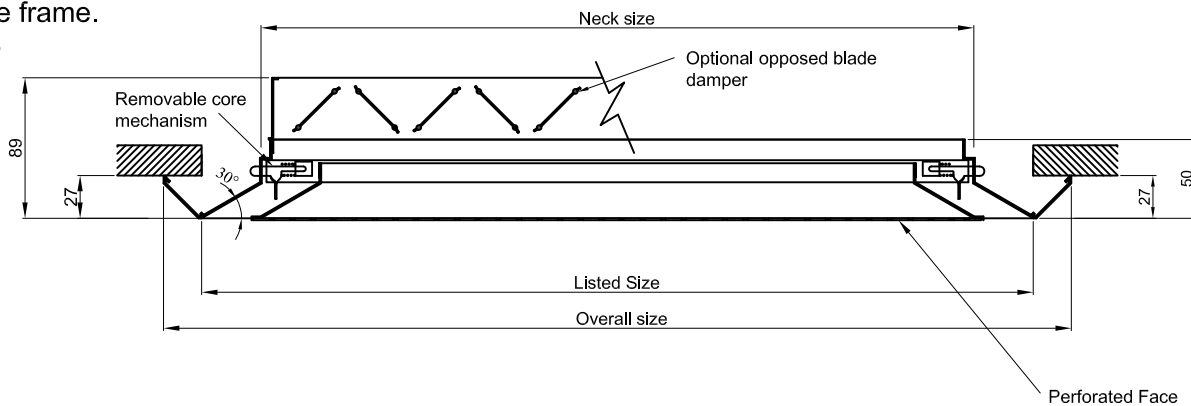
Dimensional data

PERFORATED DIFFUSER

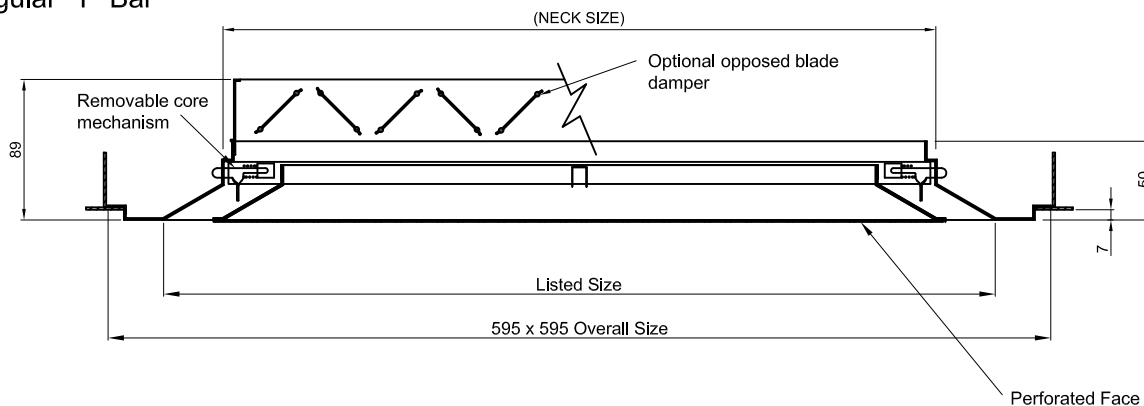
Suitable for flat face
(FF Frame)



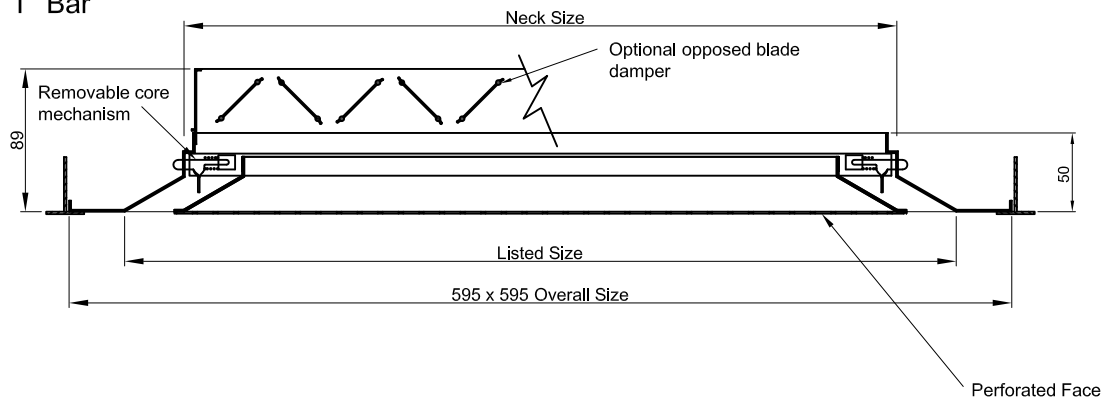
Antismudge frame.
(As Frame)



Suitable for regular "T" Bar
(TG Frame)



Suitable for flush "T" Bar
(FL frame)



Sr.no.	Neck size	Listed size	Overall Size		
			FF	TG / FL	AS
1	150 x 150	225 x 225	289 x 289	595 x 595	273 x 273
2	225 x 225	300 x 300	364 x 364	595 x 595	348 x 348
3	300 x 300	375 x 375	439 x 439	595 x 595	423 x 423
4	375 x 375	450 x 450	514 x 514	595 x 595	498 x 498
5	450 x 450	525 x 525	589 x 589	595 x 595	573 x 573