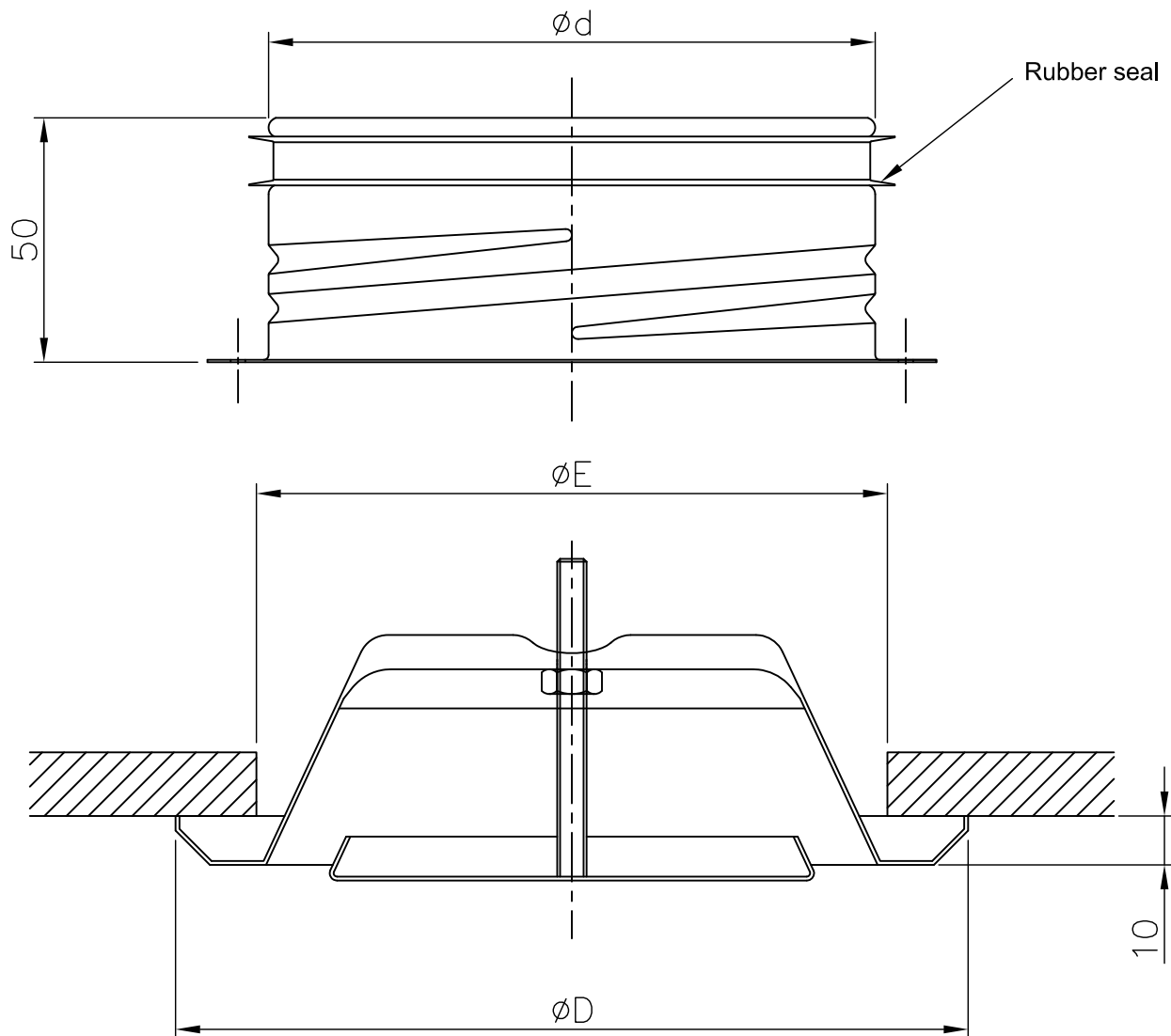


Dimensional data

DISC VALVE

All dimensions are in mm



$\phi N$	$\phi D$	$\phi d$
100	132	99
125	162	124
150	202	149
200	248	199

$\phi N$  = Nominal Dia

All dimensions are in mm