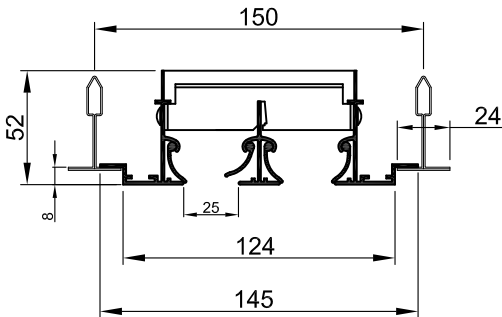


DESCRIPTION

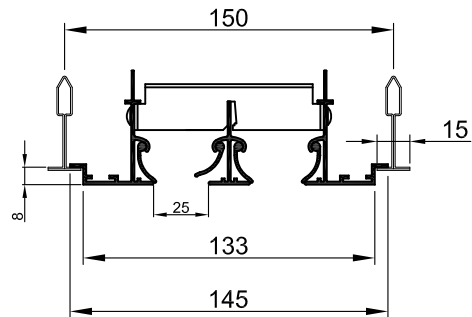
- Extruded aluminum construction.
- Powder coated finish RAL - 9016.
- Standard coating thickness - 55 microns.
- Deflector finish black matt.
- Removable inner sections.

1. Frame options

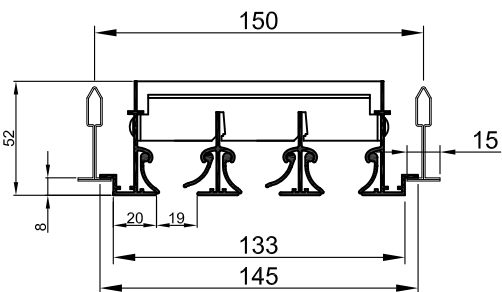
224 2 Slot for 24mm T bar



215 2 Slot for 15mm T bar

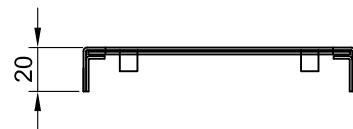


315 3 Slot for 15mm T bar

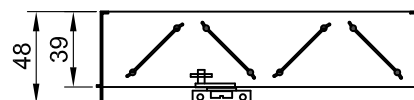


2. Accessory

HM Heat and miss damper.



D Opposed blade damper.



Model : CTZ--
 1 2

Note:

- This submittal is mean to demonstrate general dimension of the product. The drawing on submittal are not mean to detail every aspect of product with exactness. Drawing are not to scale. COSMOS reserve to the right to make changes without written notice.
- All Dimensions are in mm.
- Dimensions are ± 1.5mm