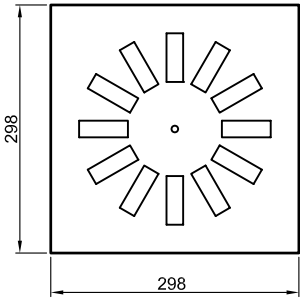
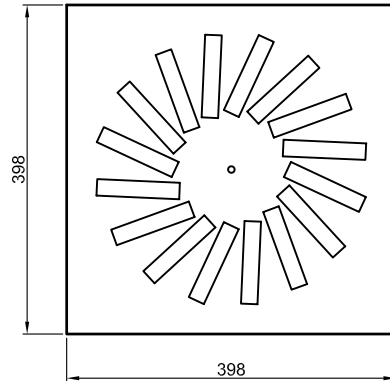


1. Face Options

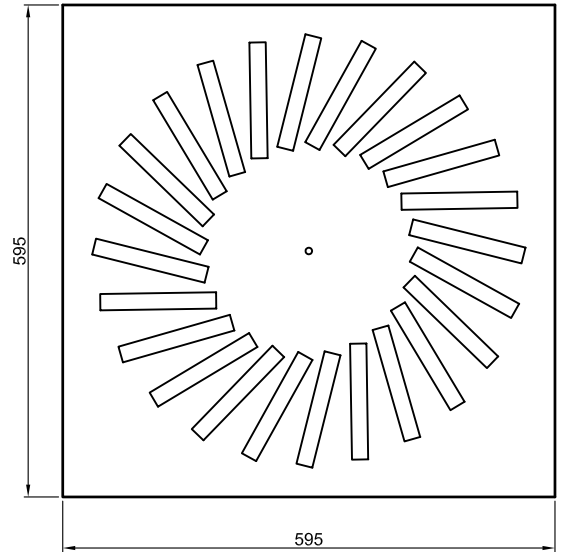
312 300 x 300 Face with 8 Slot



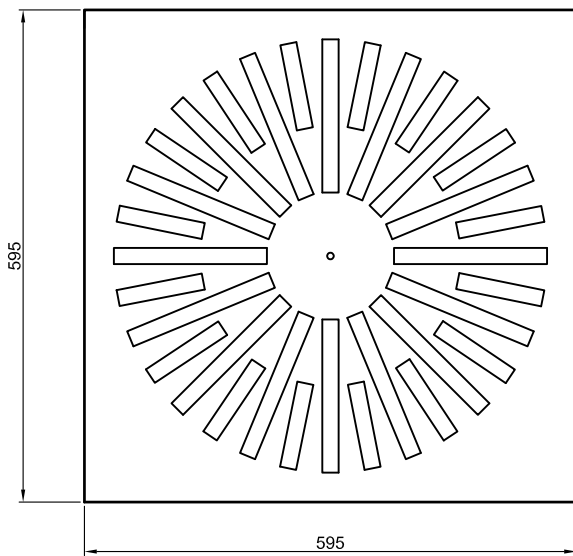
416 400 x 400 Face with 16 Slot



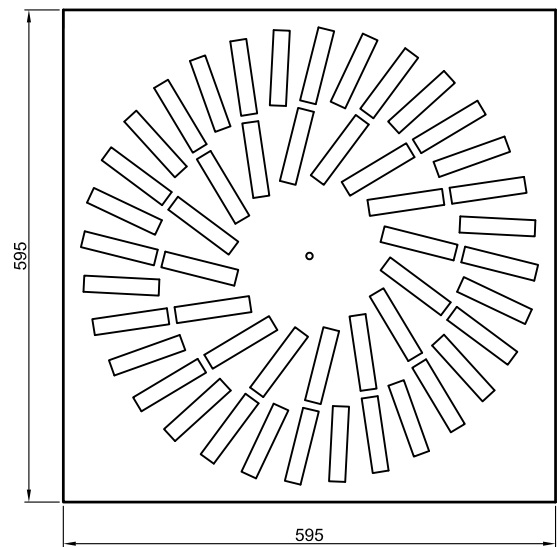
624 600 x 600 Face with 24 Slot



632 600 x 600 Face with 32 Slot



648 600 x 600 Face with 48 Slot

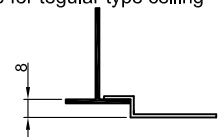


Description.

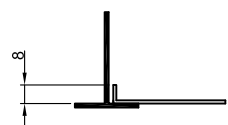
- Aluminum powder coated diffuser for modulator ceiling.
- Factory set adjustable deflector for directional flow.
- Powder coated finish RAL 9016
- Deflector finish black matt.
- Standard coating thickness 55 microns.

1. Frame Types

TG Suitable for tegular type ceiling



FL Suitable for flush type ceiling



Model : ASD- -

Note:

- This submittal is mean to demonstrate general dimension of the product. The drawing on submittal are not mean to detail every aspect of product with exactness. Drawing are not to scale. COSMOS reserve to the right to make changes without written notice.
- All Dimensions are in mm.
- Dimensions are ± 1.5mm