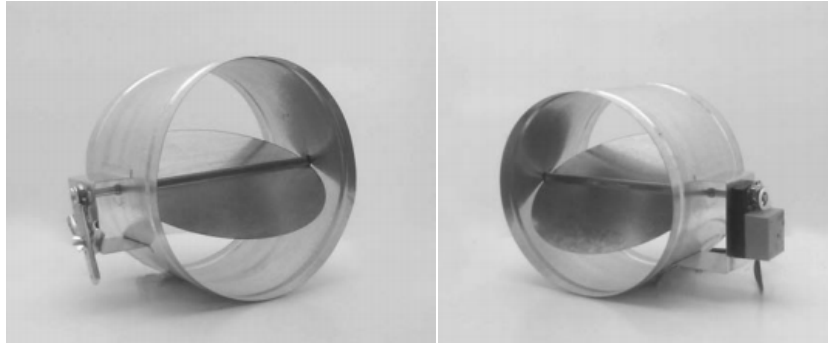


## ROUND VOLUME CONTROL DAMPER (RVCD)

**Model: RVCD**

**Model: RVCD-M**



High quality single blade Round Volume Control Dampers are designed for quiet, efficient and reliable air volume control in ventilation systems. The damper is used for regulating air flow or as shut-off damper when complete sealing against air flow is not required.

COSMOS Round Damper allows even distribution and control of airflow under conditions of high duct pressures.

COSMOS provides top quality round dampers to control air flow in Heating, Ventilating, and Air Conditioning (HVAC) systems that fit standard round ducts.

Casing and blades made from galvanized steel sheet. The round casing is manufactured by rolling suitable size GI steel sheet and swaging at both ends to accommodate ductwork connections. Adjustable damper blade mounted on nylon bushes with manually operated quadrant and position indicator.

The blades are single skin cut to round shape, reinforced at center to accommodate spindle assembly and provide toughness. Dampers can be manual with locking quadrant and position indicator or motorized with a wide range of electrical actuators.

A variety of options are available to meet specific installation requirements and a comprehensive selection of electric or pneumatic actuators are available for factory or field mounting.

Model RVCD is manual air flow control damper and RVCD-M is electrical flow control damper.

## STANDARD CONSTRUCTION:

### CASING:

GI sheet steel Casing standard 0.8mm (22G) for diameter up to 400mm. Frame with swaging at both ends to suit ductwork connections.

### BLADE:

GI steel sheet, single skin blades, 0.8mm (22G) thick, for sizes up to 400mm diameter.

### BEARINGS:

Nylon bush is standard supply.

### AXLES:

Blades are coupled with Linkage and Frame with square spindle.

### QUADRANT:

Manual operation, locking type quadrant made of GI steel with full “open” and “close” markings. Quadrant handle and drive axle are coupled to allow opening/closing of VCD at any position.

### GASKET:

Gasket at the blade tips to prevent air leakage in “shut off” position.

### SIZE:

Minimum size - 100mm diameter.

Maximum size - 400mm diameter.

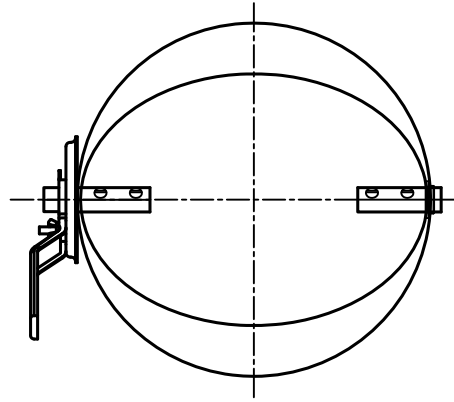
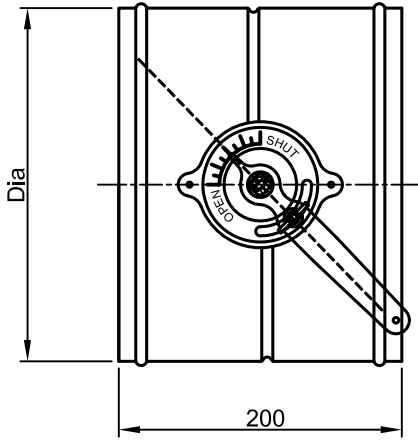
## FEATURES

- Frame constructed of heavy gauge galvanized steel
- Damper blade constructed of heavy gauge galvanized steel. Open and close end stops. 90° rotation
- Adjustable blades mounted on nylon bushes
- 12mm X 12mm square drive shaft
- One-piece construction that increases rigidity and strength
- Manual locking quadrant or motorized control shaft
- Optional factory-installed actuators that reduce installation time

Dimensional data

ROUND VOLUME CONTROL DAMPER

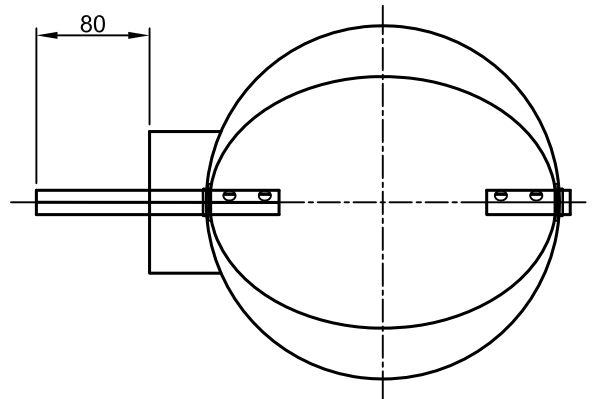
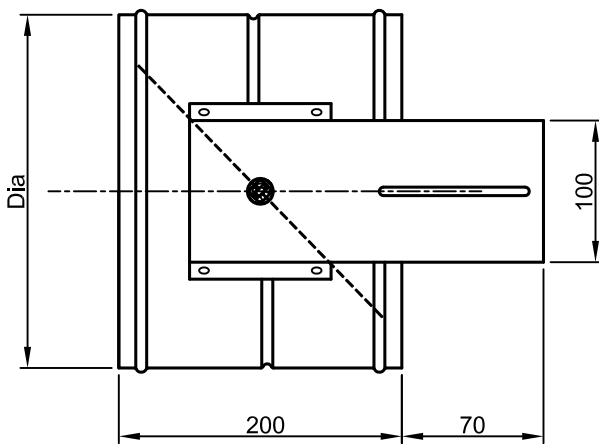
MANUAL ROUND VOLUME CONTROL DAMPER



All dimensions are in mm

Size	Dia	Length
1	100	200
2	150	200
3	200	200
4	250	200
5	300	200
6	350	200
7	400	200

Motorized round volume control damper



All dimensions are in mm

Size	Dia	Length
1	100	200
2	150	200
3	200	200
4	250	200
5	300	200
6	350	200
7	400	200

**Performance Data:**

**Model: RVCD -- Round Volume Control Damper**

Size ( mm )	Air Flow Rate ( CFM )	100	200	300	400	500	600	700	800	900	1000	1100	1200
100	Pt ( Pa )	15	60	>80	>80	>80	>80	>80	>80	>80	>80	>80	>80
	NC (dB(A))	27	48	>50	>50	>50	>50	>50	>50	>50	>50	>50	>50
150	Pt ( Pa )	<2	4	10	16	27	40	50	56	>80	>80	>80	>80
	NC (dB(A))	<15	15	27	33	41	46	48	>50	>50	>50	>50	>50
200	Pt ( Pa )	<2	<2	3	5	8	13	16	18	24	33	46	56
	NC (dB(A))	<15	<15	15	21	27	33	36	38	42	46	>50	>50
250	Pt ( Pa )	<2	<2	<2	<2	3	4	5	6	8	11	11	15
	NC (dB(A))	<15	<15	<15	<15	15	21	24	26	30	35	35	38
300	Pt ( Pa )	<2	<2	<2	<2	<2	<2	<2	<2	2	3	4	5
	NC (dB(A))	<15	<15	<15	<15	<15	<15	17	20	23	28	33	34
350	Pt ( Pa )	<2	<2	<2	<2	<2	<2	<2	<2	<2	<2	2	3
	NC (dB(A))	<15	<15	<15	<15	<15	<15	17	17	20	25	28	31
400	Pt ( Pa )	<2	<2	<2	<2	<2	<2	<2	<2	<2	<2	2	2
	NC (dB(A))	<15	<15	<15	<15	<15	<15	<15	<15	17	22	26	28