

2 Size	Dia	Length
1	100	200
2	150	200
3	200	200
4	250	200
5	300	200
6	350	200

DESCRIPTION

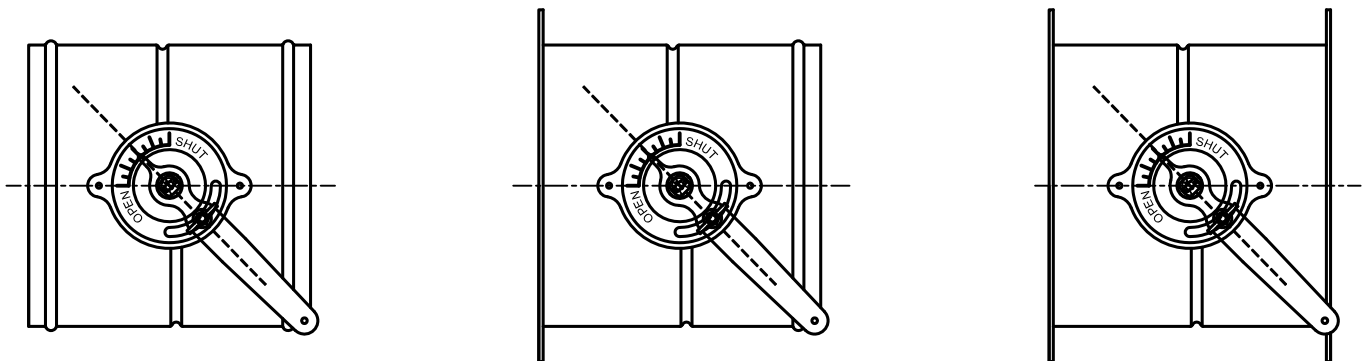
- Casing & Blade are made in galvanized mild steel.
- Adjustable blade mounted on nylon bushes.
- Controlled by manual operation.

1. Flanges Options

A Without flange

B One side flange

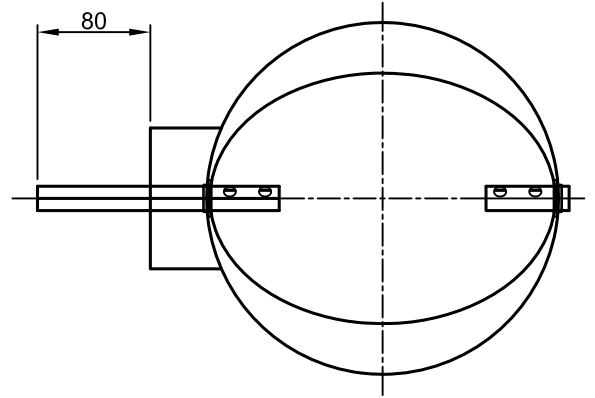
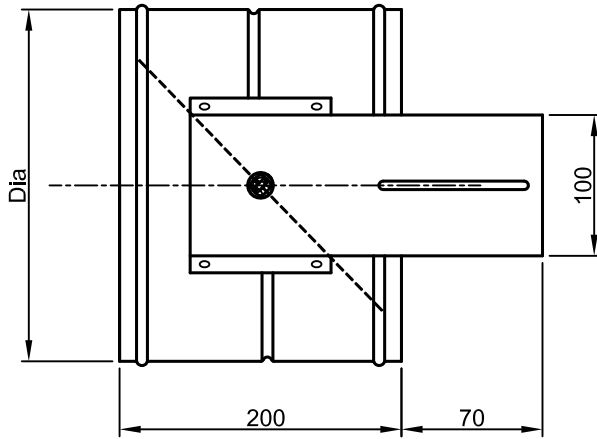
C Both side flange



Model : RVCD-

Note:

- This submittal is mean to demonstrate general dimension of the product. The drawing on submittal are not mean to detail every aspect of product with exactness. Drawing are not to scale. COSMOS reserve to the right to make changes without written notice.
- All Dimensions are in mm.
- Dimensions are ± 1.5 mm



All dimensions are in mm

2 Size	Dia	Length
1	100	200
2	150	200
3	200	200
4	250	200
5	300	200
6	350	200

DESCRIPTION

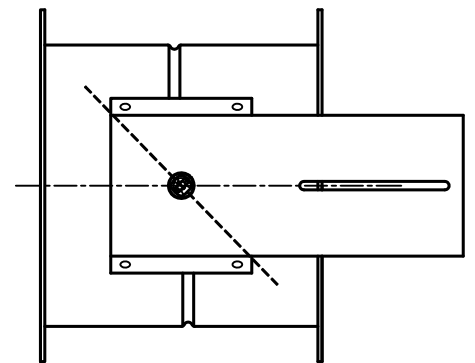
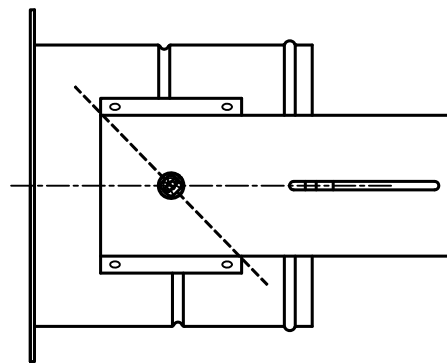
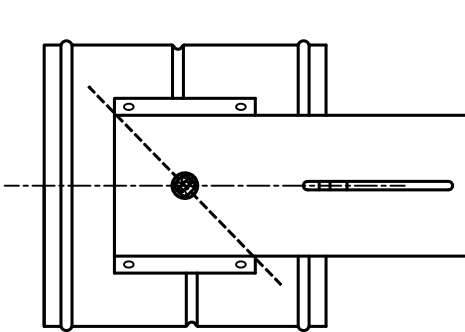
- Casing & Blade are made in galvanized mild steel.
- Adjustable blade mounted on nylon bushes.
- Controlled by motorized operation.

1. Flanges Options

A Without flange

B One side flange

C Both side flange



Model : RVCD-M-

1

Note:

- This submittal is mean to demonstrate general dimension of the product. The drawing on submittal are not mean to detail every aspect of product with exactness. Drawing are not to scale. COSMOS reserve to the right to make changes without written notice.
- All Dimensions are in mm.
- Dimensions are ± 1.5 mm