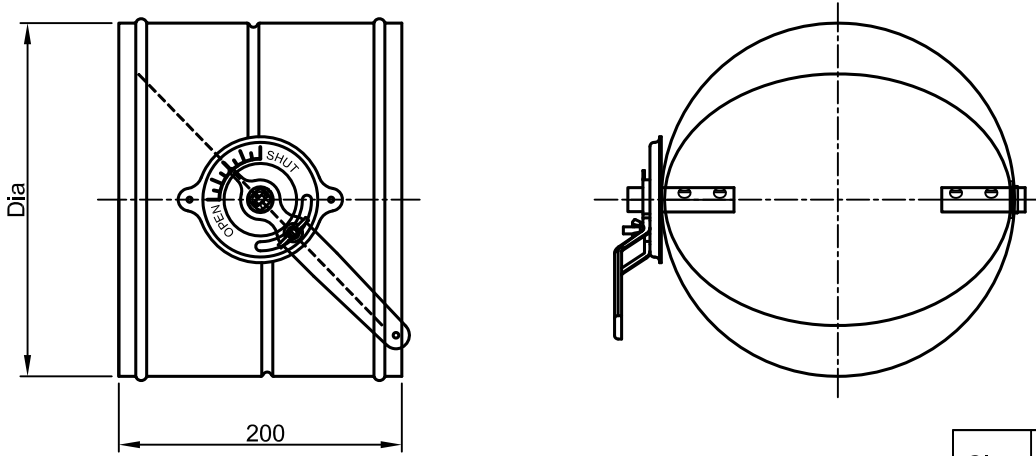


Dimensional data

ROUND VOLUME CONTROL DAMPER

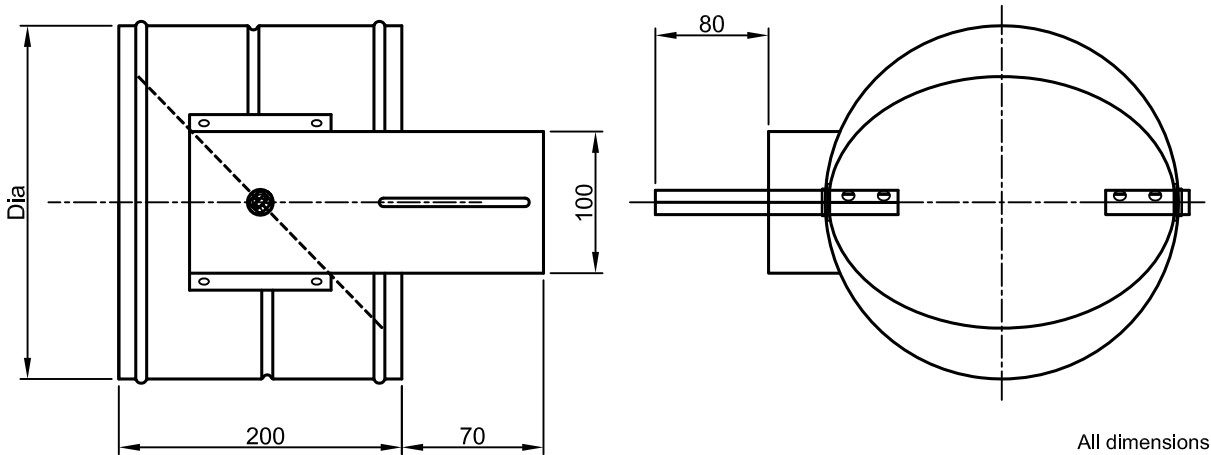
MANUAL ROUND VOLUME CONTROL DAMPER



All dimensions are in mm

Size	Dia	Length
1	100	200
2	150	200
3	200	200
4	250	200
5	300	200
6	350	200
7	400	200

Motorized round volume control damper



All dimensions are in mm

Size	Dia	Length
1	100	200
2	150	200
3	200	200
4	250	200
5	300	200
6	350	200
7	400	200