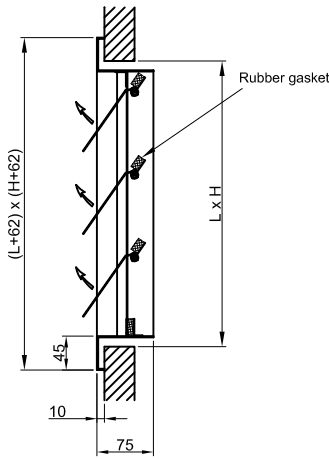


DESCRIPTION

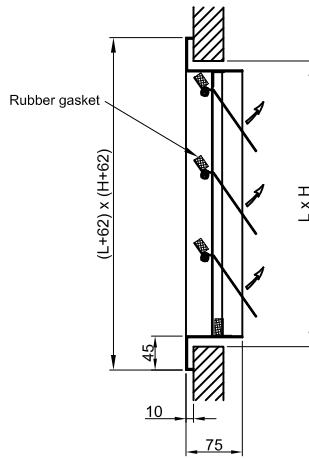
- Louvers with rubber gasket tip.
- Louver with powder coated.
- Powder coated finish RAL - 9016.
- Standard coating thickness - 55 microns.
- Frame without powder coating.
- The shafts are mounted in nylon

1. Frame Options

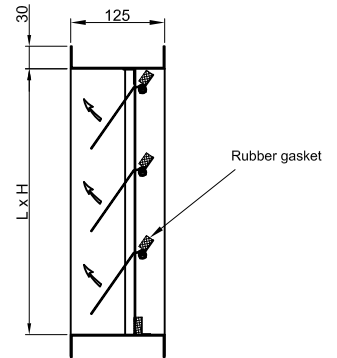
F Front flange



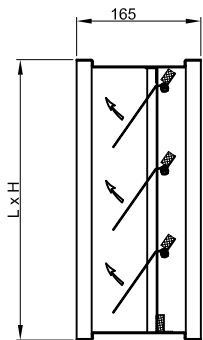
R Rear flange



C "C" Channel flange



H "H" Channel flange
(Suitable for internal duct mounting)



2. Frame & Blade combinations

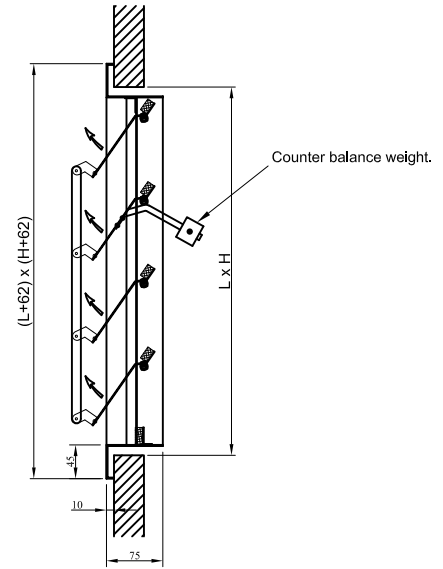
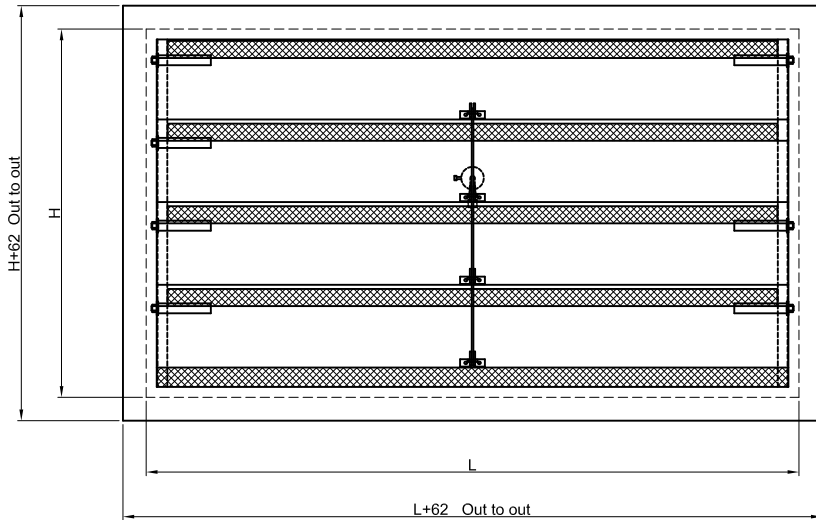
- F-G = GI Frame & aluminum blade, Front flange
- R-G = GI Frame & aluminum blade, Rear flange
- C-G = GI Frame & aluminum blade, C channel flange
- H-G = GI Frame & aluminum blade, H channel flange

Model : BDD- -

1 2

Note:

- This submittal is mean to demonstrate general dimension of the product. The drawing on submittal are not mean to detail every aspect of product with exactness. Drawing are not to scale. COSMOS reserve to the right to make changes without written notice.
- All Dimensions are in mm.
- Dimensions are ± 1.5mm

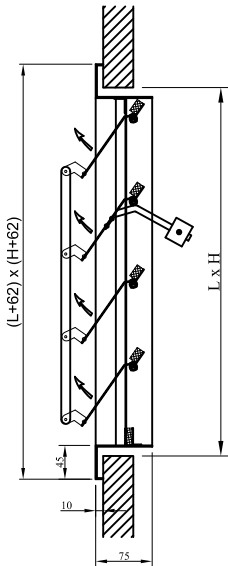


DESCRIPTION

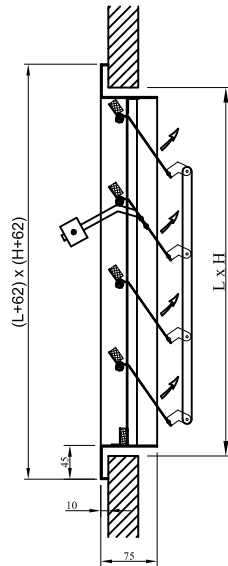
- Louvers with rubber gasket tip.
- Louver with powder coated.
- Powder coated finish RAL - 9016.
- Standard coating thickness - 55 microns.
- Frame without powder coating.
- The shafts are mounted in nylon

1. Frame Options

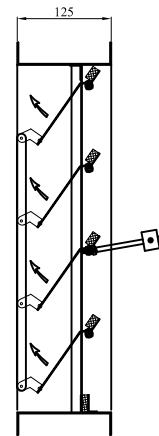
F Front flange



R Rear flange



C "C" Channel flange



2. Frame & Blade combinations

- F-G = GI Frame & aluminum blade, Front flange
- R-G = GI Frame & aluminum blade, Rear flange
- C-G = GI Frame & aluminum blade, C channel flange

Model : PRD- -
1 2

Note:

- This submittal is mean to demonstrate general dimension of the product. The drawing on submittal are not mean to detail every aspect of product with exactness. Drawing are not to scale. COSMOS reserve to the right to make changes without written notice.
- All Dimensions are in mm.
- Dimensions are ± 1.5mm