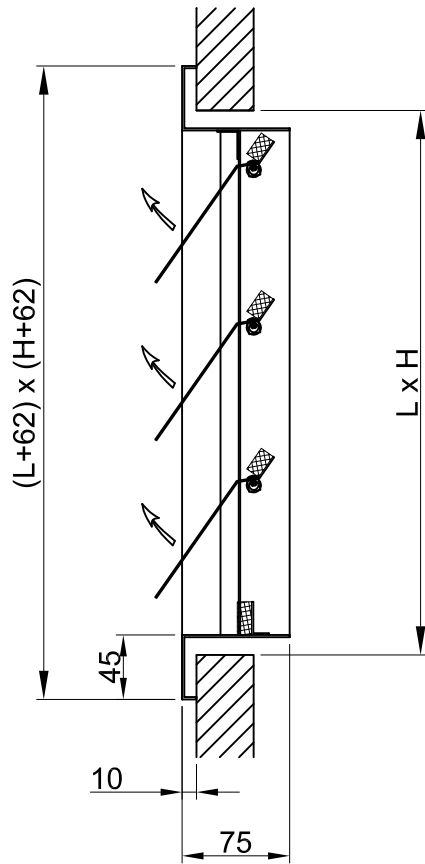
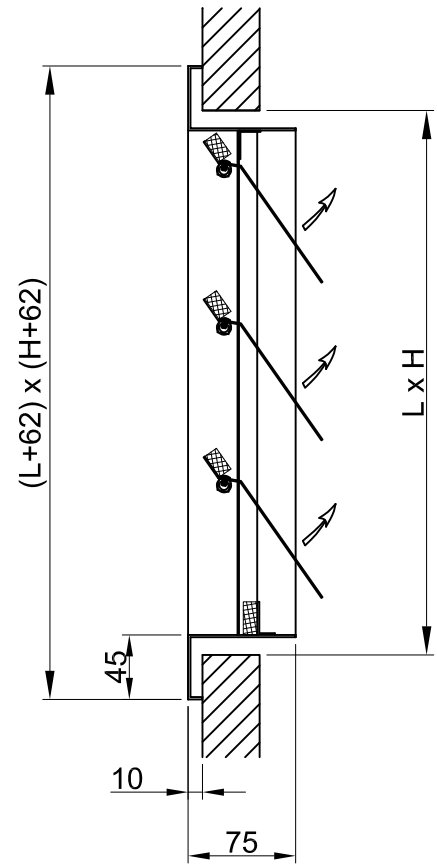


Dimensional data
BACKDRAFT DAMPER

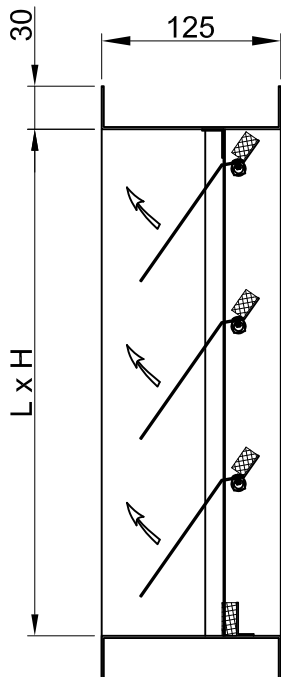
Front flange



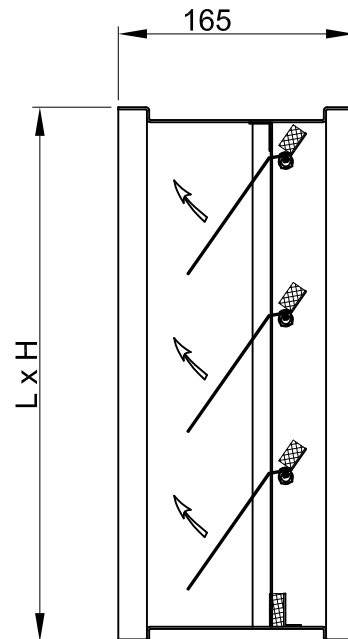
Rear flange



"C" Channel flange



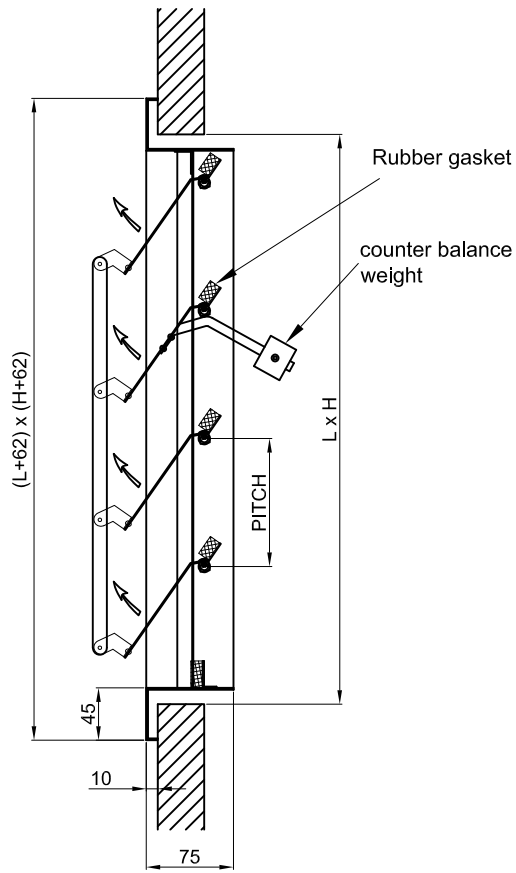
"H" Channel flange
(Suitable for internal duct mounting)



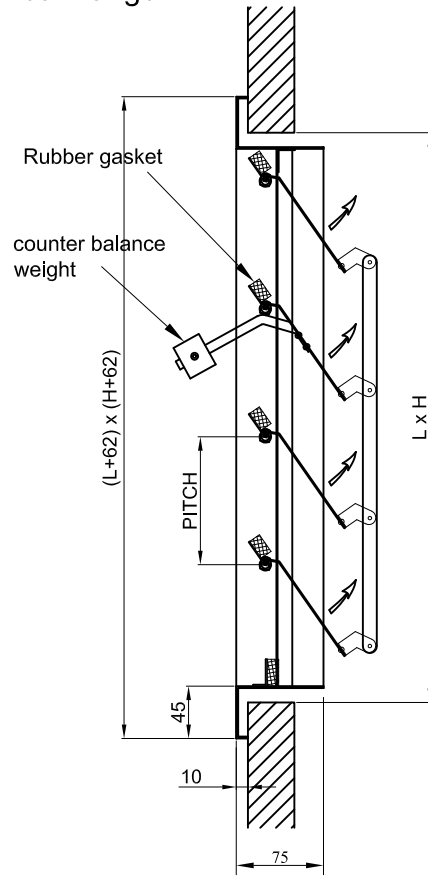
Dimensional data

PRESSURE RELIEF DAMPER

Front flange



Rear flange



"C" Channel flange

