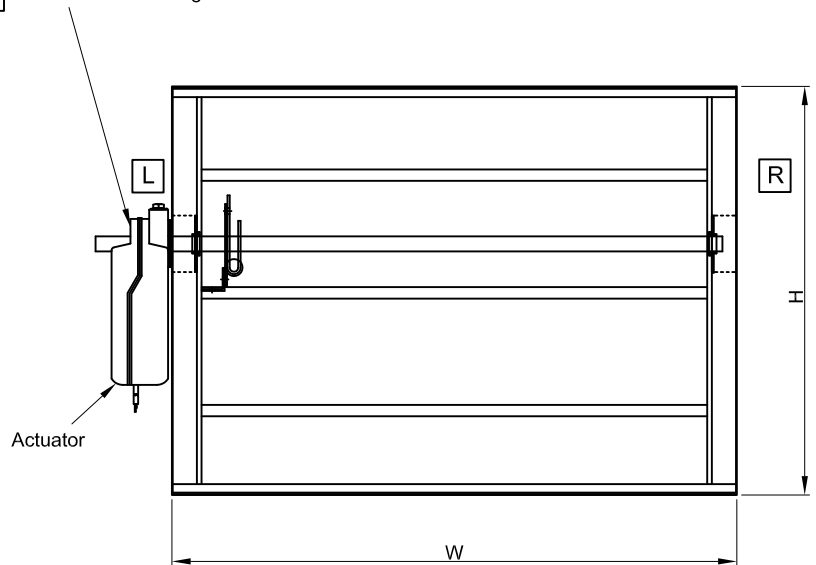
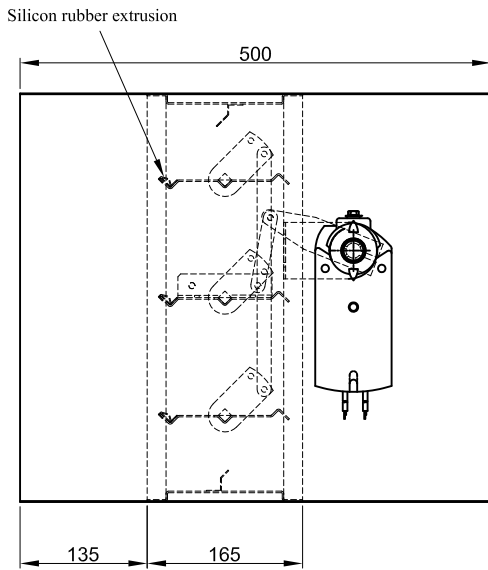


2. Control Position

L External control on left side

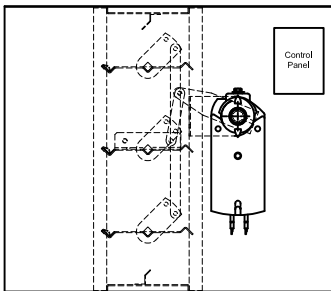
R External control on right side



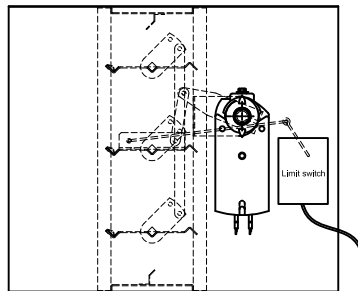
- Frame & blade - G.I. 16 Gauge.
- Casing - G.I. 20 Gauge.
- Suitable for wall mounting.
- Brass bushing for friction free operation.
- S.S. jamb seal for minimum leakage.
- Silicon rubber mechanically fixed on blade edge seal for minimum leakage
- Belimo make spring return UL listed Actuator

1. Options

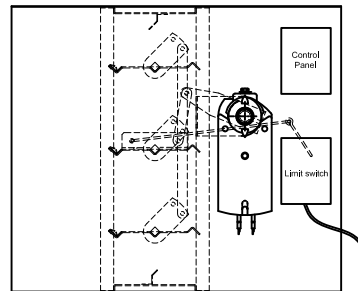
P With control panel



S With limit switch



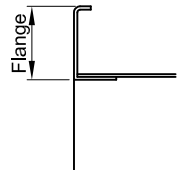
PS With control panel & limit switch



3. Accessory

A Without Flange

B With Flange



Model : FSD-M- - -

1 2 3

Note:

- This submittal is mean to demonstrate general dimension of the product. The drawing on submittal are not mean to detail every aspect of product with exactness. Drawing are not to scale. COSMOS reserve to the right to make changes without written notice.
- All Dimensions are in mm.
- Dimensions are $\pm 1.5\text{mm}$